

Air Tank AT Series



Symbol

⚠️ Precautions

- Be sure to read this before handling the products.
- Refer to back page 50 for Safety Instructions and pages 6 to 8 for Air Preparation Equipment Precautions.

Caution on Design

⚠️ Caution

- Use outside Japan is not allowed.**
The AT series air tank is in compliance with the regulations in Japan (Class 2 Pressure Vessel), but is not in compliance with related regulations outside Japan. (This is also applicable when the series is used as a unit.)
- Use the pressure gauge in a range of 0 to 50°C.**
The Max. operating temperature of the standard accessory Pressure gauge is 50°C. If temperature of the air tank exceeds 50°C, provide a heat radiator (i.e. pipe siphon, etc.) between the tank and the pressure gauge.
- Please keep the Class 2 Pressure Vessel Certificate in a safe place.**
The AT series is in compliance with the regulations in Japan (Class 2 Pressure Vessel). The Class 2 Pressure Vessel Certificate will be sent in 2 to 4 weeks after the product is shipped. Please keep it in a safe place.
- The inner surface of the air tank is not coated.**
When the rust of the inner surface is not acceptable, the coated type, special anti-corrosive treatment type or stainless steel type is available as special order. Please consult SMC.
- When used in the main line air supply as in the air preparation equipment model selection guide (page 2 and 3), a filter is installed downstream.**
Reconfirm the filter installation according to need, even when used in the operating line.
- The horizontal type, change in the port size or the position are available as special order.**
Please consult SMC.
- When using the air tank with the auto drain mounted that is a standard accessory, use it in a fluid temperature range of 0 to 60°C.**

Model/Standard Specifications

Model	AT6C	AT11D	AT22D	AT37D	AT55D	AT75D	AT125D	AT150C ⁽¹⁾	AT220C ⁽¹⁾
Fluid	Compressed air								
Tank capacity (L)	100	200	400	500	700	1000	1500	2000	3000
Max. operating pressure (MPa)	0.97								
Port size	Rc 1/2 Rc 3/4		Rc 1 1/2		2B flange ⁽²⁾ 3B flange ⁽²⁾		4B flange ⁽²⁾		
Set pressure for safety valve (MPa)	0.97								
Proof pressure (Under water pressure) (MPa)	1.46								
Fluid temperature (°C)	0 to 100 (With auto drain: 0 to 60°C)								
Material	Steel plate (SS400)						Steel plate (SS400, SM490B)		
Weight (kg)	55	115	180	205	275	395	505	775	965
Coating color	Surface: Munsell N-5.5, Inner surface: Non coated								
Ⓢ Safety valve (1 pc.)	R 1/2	R 3/4	R 1 1/4		R 1 1/2		R 2		
Ⓢ Valve for drainage (1 pc.)	Rc 1/2								
Ⓢ Pressure gauge (1 pc.)	R 3/8 x ø100								
Ⓢ L type anchor bolt (4 pcs.)	M16 x L250			M16 x L300			M16 x L500	M24 x L500	

Note 1) Manufactured upon receipt of order

Note 2) JISB2220 (JIS 10K FF flange)

Note 3) The accessories should be mounted by user.

Note 4) This product is for indoor use only and not to be used outdoors.

Note 5) As this product is a Class 2 Pressure Vessel, conduct an annual

self inspection and safely store the inspection results for 3 years.

Option^(Note 1) (Accessory)

Model	Auto drain	Companion flange
AT6C	—	—
AT11D	—	—
AT22D	—	—
AT37D	—	—
AT55D	AD402-04	2 nd JIS 10K FF flange
AT75D		3 rd JIS 10K FF flange
AT125D	—	4 th JIS 10K FF flange
AT150C	—	—
AT220C	—	—

Replacement Part^(Note 2)

Model	Pressure gauge	Gasket for cleaning hole	Gasket for manhole
AT6C	AT-SA001	411419	—
AT11D			
AT22D			
AT37D			
AT55D			
AT75D			
AT125D	—	—	412013
AT150C	—	—	—
AT220C	—	—	—

Note 1) The accessories should be mounted by user. (Order with the part number.)

Note 2) Parts other than the replacement parts cannot be shipped individually.

How to Order

AT 22D - 14

Symbol	Applicable compressor (kW)	Capacity (L)
6C	5.5	100
11D	11	200
22D	22	400
37D	37	500
55D	55	700
75D	75	1000
125D	125	1500
150C	150	2000
220C	220	3000

Option (Accessory)

Symbol	Description
Nil	—
D	With auto drain
F	Companion flange
DF	With auto drain, companion flange

Note) For F and DF, only AT55D to AT220C can be selected.

Port size

Symbol	Size	Applicable model
04	Rc 1/2	AT6C
06	Rc 3/4	AT11D
14	Rc 1 1/2	AT22D, 37D
20	2 nd JIS 10K FF flange	AT55D, 75D
30	3 rd JIS 10K FF flange	AT125D
40	4 th JIS 10K FF flange	AT150C, 220C

Related Product

Refer to page 1022 for details.

This is a small capacity air tank to which a booster valve can be connected directly in a compact manner. It is not compatible with the Class 2 Pressure Vessel requirement. The air tank can be used as a single unit.

Model	VBAT05A	VBAT10A	VBAT20A	VBAT38A
Tank capacity (L)	5	10	20	38

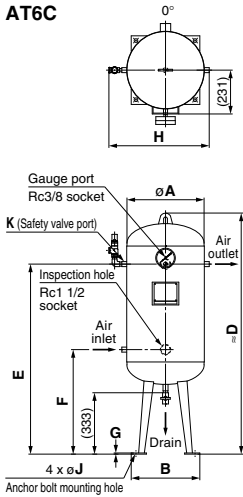
⚠️ Caution

When used as a single unit and pressurized at over 1 MPa at normal temperatures (the booster valve is not connected), the air tank falls under the scope of the "High Pressure Gas Safety Act" in Japan.

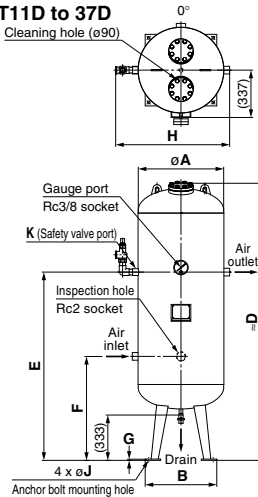


Dimensions

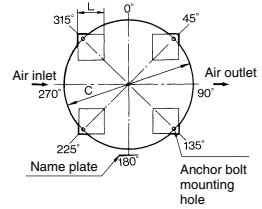
AT6C



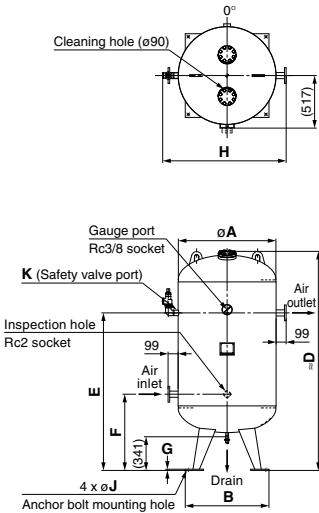
AT11D to 37D



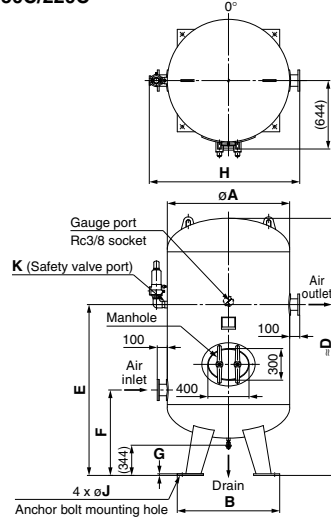
ORIENTATION (Nozzle direction) AT6C to 220C



AT55D to 125D



AT150C/220C



Model	Air connection		øA	B	øC	D	E	F	G	H	øJ	K	L	Anchor bolt
	Socket	Flange												
AT6C	Rc 1/2	—	408.4	361	440	1268	1000	550	6	460	19	Rc 1/2	80	M16 x L250
AT11D	Rc 3/4	—	611	510	650	1266	945	645	9	665	19	Rc 3/4	110	M16 x L250
AT22D	Rc 1 1/2	—	611	510	650	1986	1340	740	9	693	19	Rc 1 1/4	110	M16 x L250
AT37D	Rc 1 1/2	—	611	510	650	2286	1340	740	9	693	19	Rc 1 1/4	110	M16 x L300
AT55D	—	2 ^B JIS 10K FF flange	964	824	1080	1557	1100	750	12	1162	19	Rc 1 1/2	180	M16 x L300
AT75D	—	2 ^B JIS 10K FF flange	964	824	1080	2167	1550	750	12	1162	19	Rc 1 1/2	180	M16 x L300
AT125D	—	3 ^B JIS 10K FF flange	964	824	1080	2777	1650	750	12	1162	19	Rc 2	180	M16 x L500
AT150C	—	4 ^B JIS 10K FF flange	1216	1019	1300	2558	1700	850	16	1416	27	Rc 2	260	M24 x L500
AT220C	—	4 ^B JIS 10K FF flange	1216	1019	1300	3288	1700	850	16	1416	27	Rc 2	260	M24 x L500