

Solid State Auto Switch with Timer Direct Mounting Style D-M5NTL/D-M5PTL



Grommet

- With built-in OFF-delay timer (approx. 200 ms)
- Easy intermediate detection



Auto Switch Specifications

PLC: Programmable Logic Controller

D-M5□TL (With indicator light)		
Auto switch model	D-M5NTL	D-M5PTL
Wiring type	3-wire	
Output type	NPN	PNP
Output operation	Off-delay	
Operating time	1 ms or less	
Off-delay time	200 ± 50 ms	
Applicable load	IC circuit, Relay, PLC	
Power supply voltage	5, 12, 24 VDC (4.5 to 28 VDC)	
Current consumption	10 mA or less	12 mA or less
Load voltage	28 VDC or less	—
Load current	80 mA or less	
Internal voltage drop	2 V or less (0.8 V or less at 10 mA load current)	0.8 V or less
Leakage current	100 μA or less at 24 VDC	
Indicator light	Red LED illuminates when turned ON.	
Standard	CE marking	

• Lead wires — Oilproof heavy-duty vinyl cord, $\phi 3.4$, 0.2 mm², 3 cores (Brown, Black, Blue), 3 m (Standard)

Note 1) Refer to page 1272 for solid state auto switch common specifications.

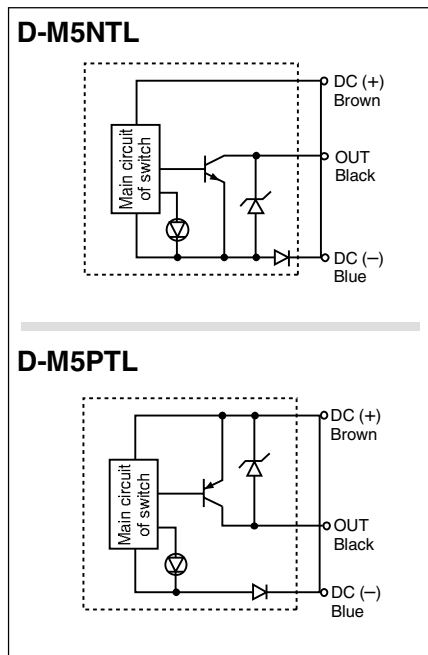
Note 2) Refer to page 1272 for lead wire lengths.

Mass

(g)

Auto switch model	D-M5NT	D-M5PT
Lead wire length (m)	0.5	—
	3	60
	5	95

Auto Switch Internal Circuit



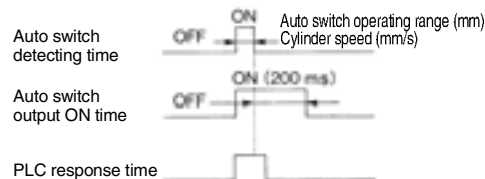
Timer Operation

Detection of intermediate positioning for high-speed cylinder

Detecting point dispersion occurs due to response time of PLC (sequencer); e.g. scanning.

Ex.) Cylinder speed — 1000 mm/sec.
PLC response time — 0.1 sec.
Detecting point dispersion — Within 100 mm (= 1000 mm/sec. x 0.1 sec.)

Take PLC response time into consideration when using.



Dimensions

(mm)

