

# Reed Auto Switch Band Mounting Style D-A33/D-A34/D-A44



**Terminal conduit: D-A3  
DIN terminal: D-A4**



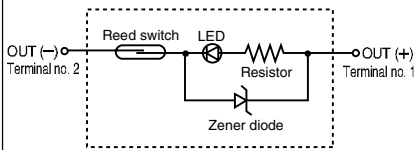
## ⚠ Caution

### Precautions

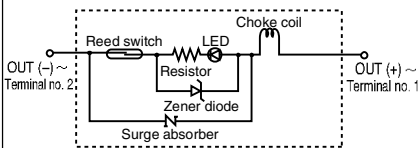
1. Use cable whose O.D. is within the size in the figure to maintain water resistant performance.
2. After wiring, confirm that tightening gland and all screws are tightened.

## Auto Switch Internal Circuit

### D-A33



### D-A34, D-A44



## Auto Switch Specifications

PLC: Programmable Logic Controller

D-A3 (With indicator light) Terminal conduit				
Auto switch model	D-A33	D-A34		
Applicable load	PLC	Relay, PLC		
Load voltage	24 VDC	24 VDC	100 VAC	200 VAC
Load current range <sup>(2)</sup>	5 to 50 mA	5 to 50 mA	5 to 25 mA	5 to 12.5 mA
Contact protection circuit	None	Built-in		
Internal voltage drop	2.4 V or less	2.4 V or less (to 20 mA)/3.5 V or less (to 50 mA)		
Indicator light	Red LED illuminates when turned ON.			
Standard	CE marking			
D-A44 (With indicator light) DIN terminal				
Auto switch model	D-A44			
Applicable load	Relay, PLC			
Load voltage	24 VDC	100 VAC	200 VAC	
Load current range	5 to 50 mA	5 to 25 mA	5 to 12.5 mA	
Contact protection circuit	Built-in			
Internal voltage drop	2.4 V or less (to 20 mA)/3.5 V or less (to 50 mA)			
Indicator light	Red LED illuminates when turned ON.			
Standard	CE marking			

Note 1) Refer to page 1272 for reed auto switch common specifications.

Note 2) Under 5 mA, the strength of the indicator light is poor. In some cases, visibility of the indicator light will not be possible where the output signal is less than 2.5 mA. However, there is no problem in terms of contact output, when an output signal exceeds 1 mA or more.

## Mass

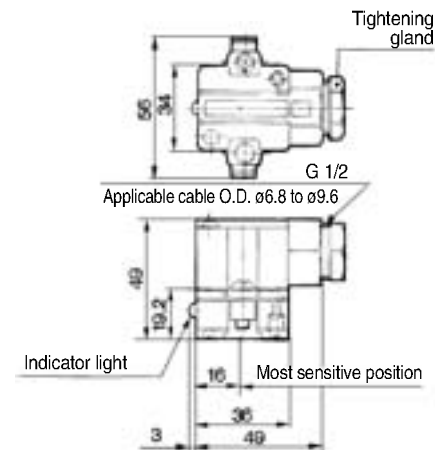
(g)

Auto switch model	D-A33	D-A34	D-A44
Lead wire	None	116	114

## Dimensions

(mm)

### D-A3



### D-A44

