

PM25 Series

3/5-Port Pilot Operated Solenoid Valves
Metal Seal, In-line/Sub-base Mounting type

PMS2325

2-position, single solenoid

PMS2425

2-position, single solenoid

PMD2425

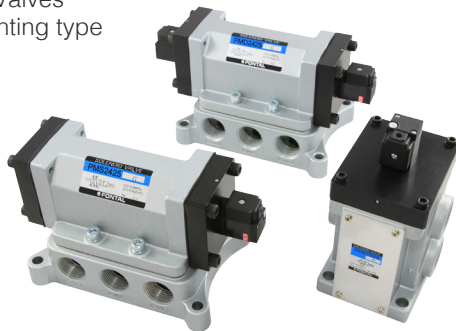
2-position, double solenoid

PMD3425

3-position, closed center

PME3425

3-position, ABR connect

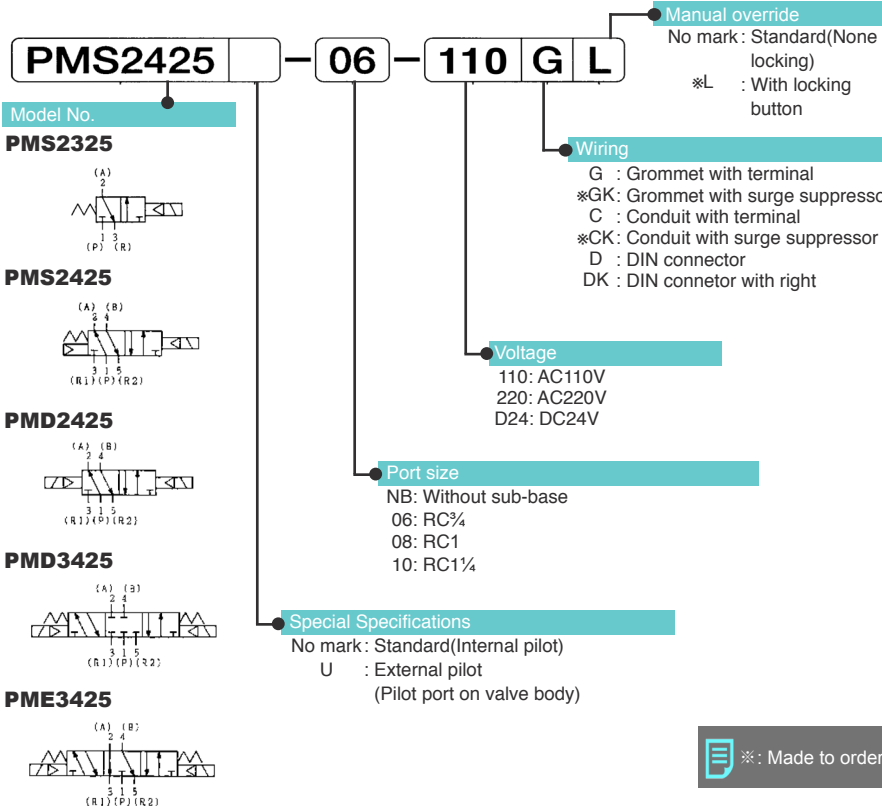


Specifications

Model No.		Unit	PMS2325	PMS2425	PMD2425	PMD3425	PME3425
Fluid			Non-lubricated/lubricated air				
Port size			RC1	RC $\frac{3}{4}$, 1, 1 $\frac{1}{4}$			
Effective area		mm ²	190	170(RC $\frac{3}{4}$), 200(RC1), 210(RC1 $\frac{1}{4}$)		165(RC $\frac{3}{4}$), 190(RC1), 195(RC1 $\frac{1}{4}$)	
CV value			10.3	9.22(RC $\frac{3}{4}$), 10.84(RC1), 11.39(RC1 $\frac{1}{4}$)		8.94(RC $\frac{3}{4}$), 10.29(RC1), 10.57(RC1 $\frac{1}{4}$)	
Operating ambient temperature		°C	-5~60				
Operating pressure range		MPa	0.2~0.7	0.2~0.8			
Maximum frequency		cycle/min	60				
Response time (at 0.5MPa)		s (average)	ON 0.040(0.050) OFF 0.220(0.300)		ON 0.060 (0.070)	ON 0.060(0.070) OFF 0.290(0.300)	
Rated voltage		V	AC/110,220 DC24				
Grade of insulation			JIS grade B				
Permission voltage fluctuation		%	AC \pm 10 DC+10-15				
Rated frequency		Hz	50/60				
Apparent power	AC	Holding	50Hz	VA 3.2 (110/220)			
			60Hz	VA 2.6 (110/220)			
	Inrush	50Hz	VA 5 (110/220)				
		60Hz	VA 4.5 (110/220)				
Power consumption DC		W	2				
Wiring			Grommet with terminal, Conduit with terminal, DIN connector				
Mass		kg	3	6.1	6.3	6.9	6.9



- Supply complete-dry air to avoid freezing when temperature of valve site falls below 5°C
- Response time shown above is in accordance with JIB B 8375
- Effective area shown above is a value between ports 1 and 2, 4

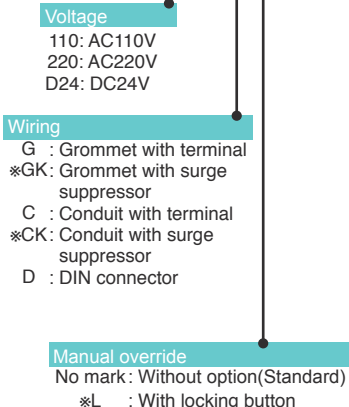


Optional Parts and Spare Parts

Parts Name		Model No.
Sub-base	RC $\frac{1}{4}$	PM25-SB-06
	RC1	PM25-SB-08
	RC1 $\frac{1}{2}$	PM25-SB-10
Base gasket		A25-G
Spring	For 2-position	PM25-SS
	For 3-position	PM25-3S

Pilot valve

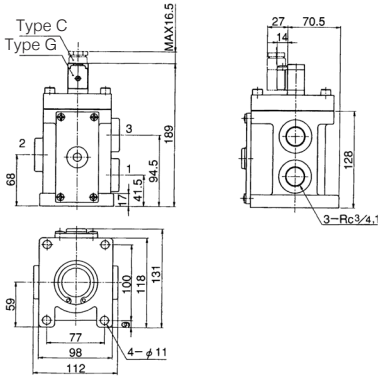
SS231-NB-110GL



PM

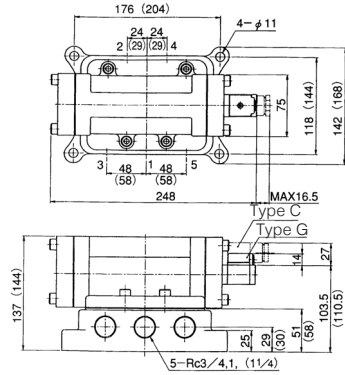
PMS2325

(Unit: mm)



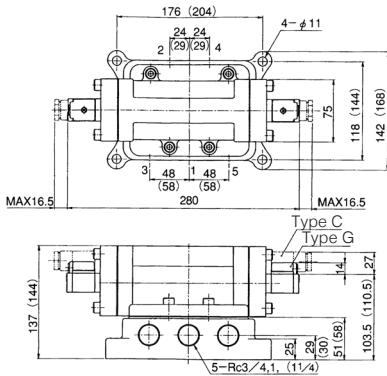
PMS2425

(Unit: mm)



PMD2425

(Unit: mm)



PMD3425, PME3425

(Unit: mm)

