

PM15 Series

3/5-Port Pilot Operated Solenoid Valves
Metal Seal, In-line/Sub-base Mounting type

PMS2315

2-position, single solenoid

PMS2415

2-position, single solenoid

PMD2415

2-position, double solenoid

PMD3415

3-position, closed center

PME3415

3-position, ABR connect

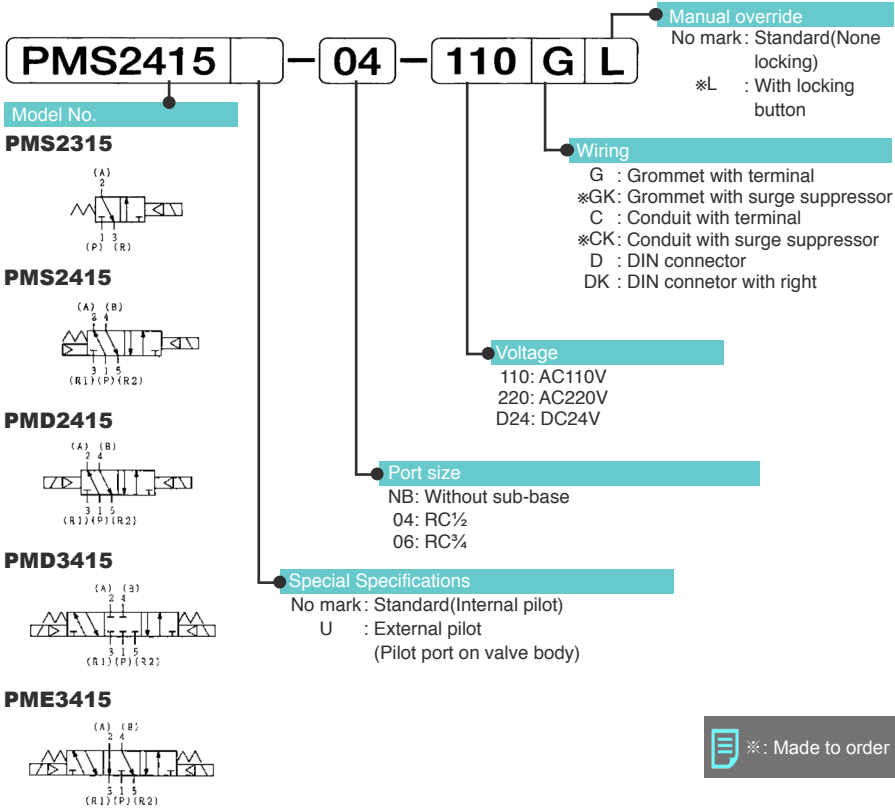


Specifications

Model No.		Unit	PMS2315	PMS2415	PMD2415	PMD3415	PME3415	
Fluid			Non-lubricated/lubricated air					
Port size			RC $\frac{1}{2}$, $\frac{3}{4}$					
Effective area		mm ²	80	75				
CV value			4.34	4.07				
Operating ambient temperature		°C	-5~60					
Operating pressure range		MPa	0.2~0.7	0.2~0.8				
Maximum frequency		cycle/min	120					
Response time (at 0.5MPa)		s (average)	ON 0.020 OFF 0.055	ON 0.022 OFF 0.055	ON 0.020	ON 0.030 OFF 0.100		
Rated voltage		V	AC/110,220				DC24	
Grade of insulation			JIS grade B					
Permission voltage fluctuation		%	AC \pm 10 DC+10-15					
Rated frequency		Hz	50/60					
Apparent power	AC	Holding	50Hz	VA				3.2 (110/220)
			60Hz	VA				2.6 (110/220)
		Inrush	50Hz	VA				5 (110/220)
			60Hz	VA				4.5 (110/220)
Power consumption DC		W	2					
Wiring			Grommet with terminal, Conduit with terminal, DIN connector					
Mass		kg	1.2	2.3	2.4	2.7	2.7	



- Supply complete-dry air to avoid freezing when temperature of valve site falls below 5°C
- Response time shown above is in accordance with JIB B 8375
- Effective area shown above is a value between ports 1 and 2, 4

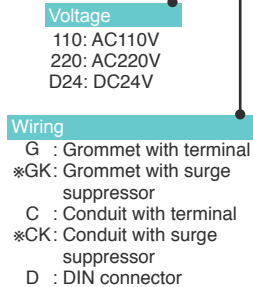


Optional Parts and Spare Parts

Parts Name		Model No.
Sub-base	RC $\frac{1}{2}$	PM15-SB-04
	RC $\frac{3}{4}$	PM15-SB-06
Base gasket		A15-G
Spring	For 2-position	PM15-SS
	For 3-position	PM15-3S

Pilot valve

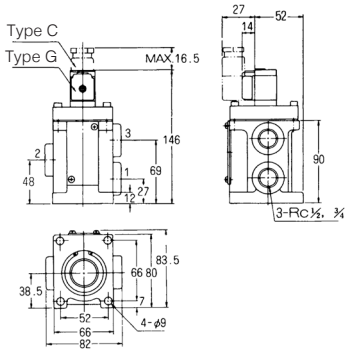
SS231-NB-110GL



PM

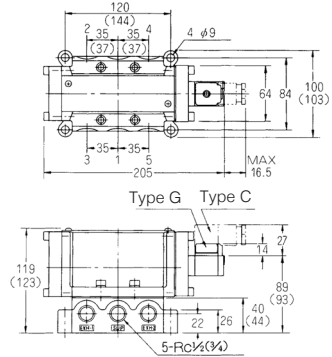
PMS2315

(Unit: mm)



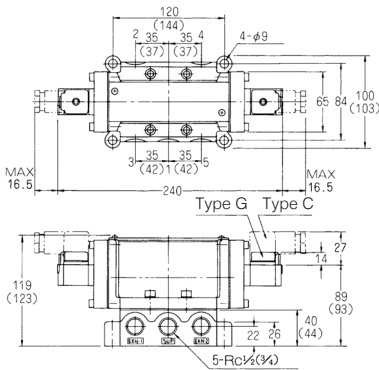
PMS2415

(Unit: mm)



PMD2415

(Unit: mm)



PMD3415, PME3415

(Unit: mm)

