

PM08 Series

3/5-Port Pilot Operated Solenoid Valves
Metal Seal, In-line/Sub-base Mounting type

PMS2308

2-position, single solenoid

PMS2408

2-position, single solenoid

PMD2408

2-position, double solenoid

PMD3408

3-position, closed center

PME3408

3-position, ABR connect

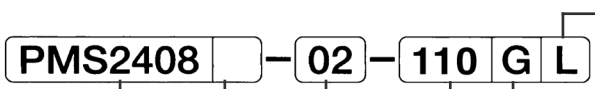


Specifications

Model No.		Unit	PMS2308	PMS2408	PMD2408	PMD3408	PME3408	
Fluid			Non-lubricated/lubricated air					
Port size			RC $\frac{1}{4}$, $\frac{3}{8}$					
Effective area		mm ²	22	30		25		
CV value			1.19	1.63		1.35		
Operating ambient temperature		°C	-5~60					
Operating pressure range		MPa	0.2~0.7	0.2~0.8				
Maximum frequency		cycle/min	360			300		
Response time (at 0.5MPa)		s (average)	ON 0.010 OFF 0.030	ON 0.010 OFF 0.030	ON 0.010	ON 0.015 OFF 0.040		
Rated voltage		V	AC/110, 220				DC24	
Grade of insulation			JIS grade B					
Permission voltage fluctuation		%	AC \pm 10 DC+10-15					
Rated frequency		Hz	50/60					
Apparent power	AC	Holding	50Hz	VA				3.2 (110/220)
			60Hz	VA				2.6 (110/220)
	Inrush	50Hz	VA				5 (110/220)	
		60Hz	VA				4.5 (110/220)	
Power consumption DC		W	2					
Wiring			Grommet with terminal, Conduit with terminal, DIN connector					
Mass		kg	0.5	0.9	1.1	1.2	1.2	

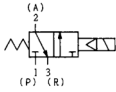


- Supply complete-dry air to avoid freezing when temperature of valve site falls below 5°C
- Response time shown above is in accordance with JIB B 8375
- Effective area shown above is a value between ports 1 and 2, 4

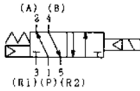


Model No.

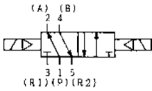
PMS2308



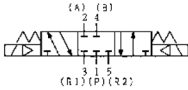
PMS2408



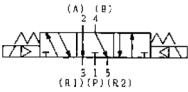
PMD2408



PMD3408



PME3408



Manual override
 No mark: Standard (None locking)
 ※L : With locking button

Wiring

- G : Grommet with terminal
- ※GK: Grommet with surge suppressor
- C : Conduit with terminal
- ※CK: Conduit with surge suppressor
- D : DIN connector
- DK : DIN connector with right

Voltage

- 110: AC110V
- 220: AC220V
- D24: DC24V

Port size

- NB: Without sub-base
- 02: RC $\frac{1}{4}$
- 03: RC $\frac{3}{8}$

Special Specifications

- No mark : Standard (Internal pilot)
- U : External pilot (Pilot port on valve body)

☰ ※ : Made to order

Optional Parts and Spare Parts

Parts Name		Model No.
Sub-base	RC $\frac{1}{4}$	PM08-SB-02
	RC $\frac{3}{8}$	PM08-SB-03
Base gasket		A08-G
Spring	For 2-position	PM08-SS
	For 3-position	PM08-3B

Pilot valve



Voltage

- 110: AC110V
- 220: AC220V
- D24: DC24V

Wiring

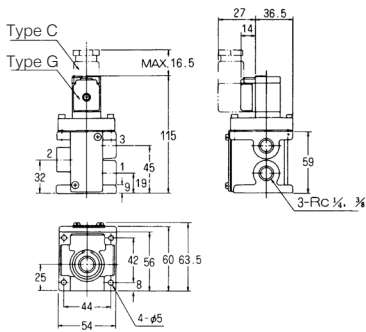
- G : Grommet with terminal
- ※GK: Grommet with surge suppressor
- C : Conduit with terminal
- ※CK: Conduit with surge suppressor
- D : DIN connector

Manual override

- No mark : Without option (Standard)
- ※L : With locking button

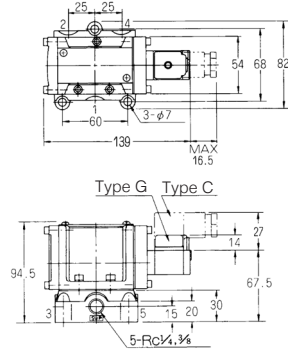
PMS2308

(Unit: mm)



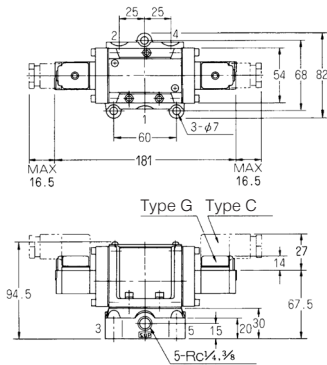
PMS2408

(Unit: mm)



PMD2408

(Unit: mm)



PMD3408, PME3408

(Unit: mm)

