

PM06 Series

3/5-Port Pilot Operated Solenoid Valves
Metal Seal, In-line/Sub-base Mounting type

PMS2306

2-position, single solenoid

PMS2406

2-position, single solenoid

PMD2406

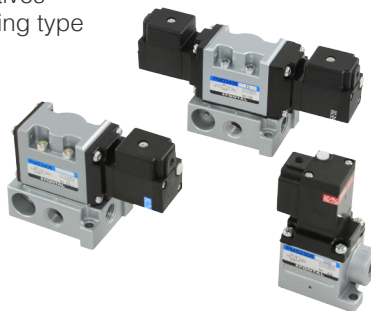
2-position, double solenoid

PMD3406

3-position, closed center

PME3406

3-position, exhaust center

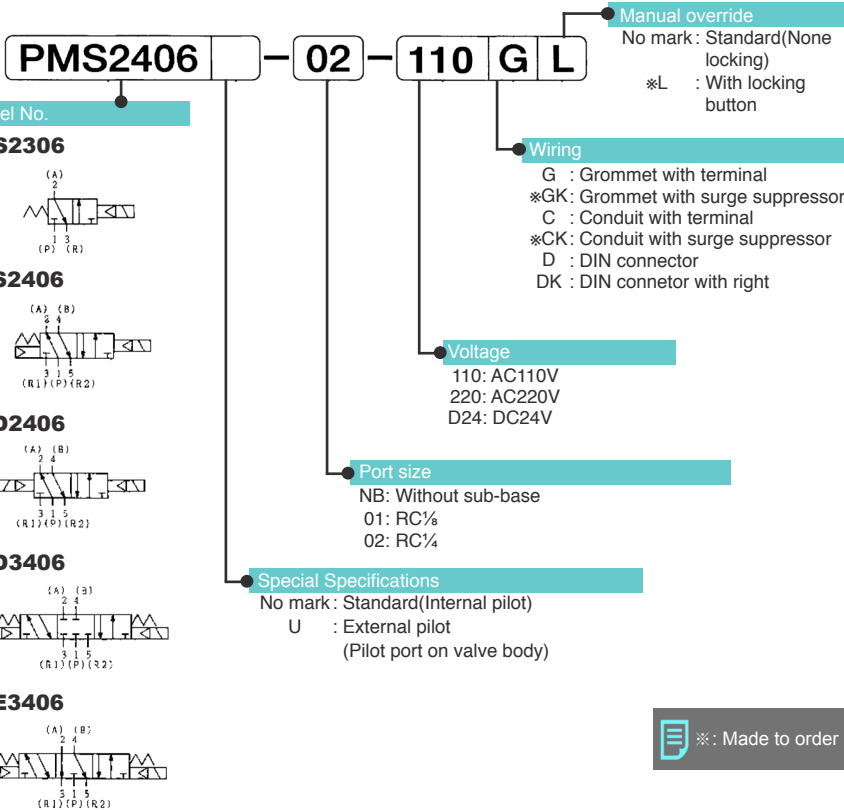


Specifications

Model No.		Unit	PMS2306	PMS2406	PMD2406	PMD3406	PME3406	
Fluid			Non-lubricated/lubricated air					
Port size			RC $\frac{1}{2}$, $\frac{1}{4}$					
Effective area		mm ²	11	12.5		12		
CV value			0.60	0.68		0.65		
Operating ambient temperature		°C	-5~60					
Operating pressure range		MPa	0.2~0.7	0.2~0.8				
Maximum frequency		cycle/min	360					
Response time (at 0.5MPa)		s (average)	ON 0.010 OFF 0.020	ON 0.010 OFF 0.020	ON 0.010	ON 0.015 OFF 0.030		
Rated voltage		V	AC/110,220 DC24					
Grade of insulation			JIS grade B					
Permission voltage fluctuation		%	AC \pm 10 DC+10-15					
Rated frequency		Hz	50/60					
Apparent power	AC	Holding	50Hz	VA				3.2 (110/220)
			60Hz	VA				2.6 (110/220)
	Inrush	50Hz	VA				5 (110/220)	
		60Hz	VA				4.5 (110/220)	
Power consumption DC		W	2					
Wiring			Lead wire, Grommet with terminal, Conduit with terminal, DIN connector					
Mass		kg	0.3	0.4	0.5	0.5	0.5	



- Supply complete-dry air to avoid freezing when temperature of valve site falls below 5°C
- Response time shown above is in accordance with JIB B 8375
- Effective area shown above is a value between ports 1 and 2, 4

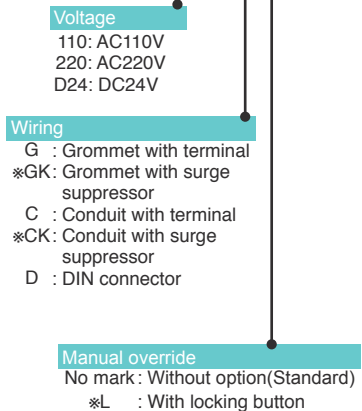


Optional Parts and Spare Parts

Parts Name		Model No.
Sub-base	RC $\frac{1}{8}$	PM06-SB-01
	RC $\frac{1}{4}$ (For external pilot)	PM06-SB-02
Base gasket		A06-G
Spring	For 2-position	PM06-SS
	For 3-position	PM06-3S

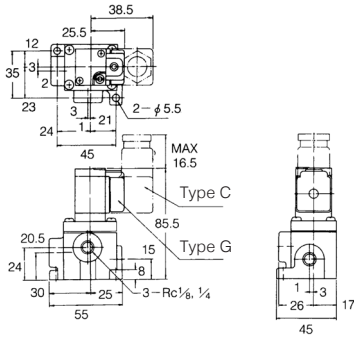
Pilot valve

SS231-NB-110GL



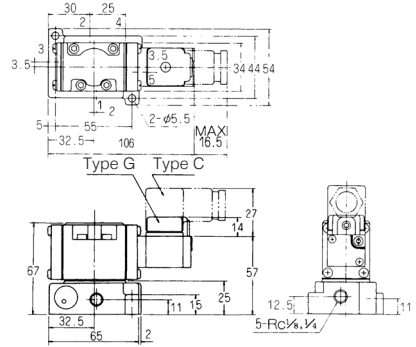
PMS2306

(Unit: mm)



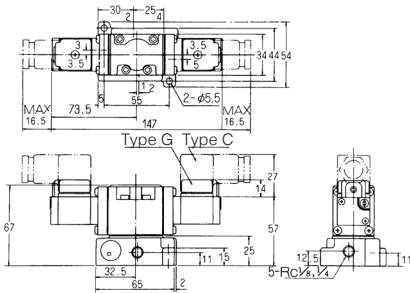
PMS2406

(Unit: mm)



PMD2406

(Unit: mm)



PMD3406, PME3406

(Unit: mm)

