

MF□ - C

Individual Wiring Type Manifold
Separate Type

MF□-CC

Common SUP, common EXH,
ports 2&4 on the side

MF□-CI

Common SUP, individual EXH,
ports 2&4 on the side



Manifold Specifications

Type of manifold		MF□-CC06	MF□-CC08	MF□-CC10	MF□-CC15	MF□-CC25
		Common SUP, common EXH	Common SUP, common EXH	Common SUP, common EXH	Common SUP, common EXH	Common SUP, common EXH
Port size	Port 1	Rc¼	Rc⅜	Rc½	Rc¾	Rc1
	Port 3, 5	Rc¼	Rc⅜	Rc½	Rc¾	Rc1
	Port 2, 4	Rc⅜	Rc⅝	Rc½	Rc¾	Rc1
Number of stations		2~20	2~20	2~20	2~20	2~20
Mountable solenoid valve		AS2406-NB AD2406-NB AD3406-NB ADE3406-NB	AS2408-NB AD2408-NB AD3408-NB ADE3408-NB	AS2410-NB AD2410-NB AD3410-NB ADE3410-NB	AS2415-NB AD2415-NB AD3415-NB ADE3415-NB	AS2425-NB AD2425-NB AD3425-NB ADE3425-NB
Blank plate		CC06-BP	CC08-BP	CC10-BP	CC15-BP	CC25-BP

Type of manifold		MF□-CI06	MF□-CI08	MF□-CI10	MF□-CI15	MF□-CI25
		Common SUP, individual EXH	Common SUP, individual EXH	Common SUP, individual EXH	Common SUP, individual EXH	Common SUP, individual EXH
Port size	Port 1	Rc¼	Rc⅜	Rc½	Rc¾	Rc1
	Port 3, 5	Rc¼	Rc¼, ⅜	Rc⅜, ½	Rc½	Rc1
	Port 2, 4	Rc⅜, Rc¼	Rc¼, ⅜	Rc⅜, ½	Rc½	Rc1
Number of stations		2~20	2~20	2~20	2~20	2~20
Mountable solenoid valve		AS2406-NB AD2406-NB AD3406-NB ADE3406-NB	AS2408-NB AD2408-NB AD3408-NB ADE3408-NB	AS2410-NB AD2410-NB AD3410-NB ADE3410-NB	AS2415-NB AD2415-NB AD3415-NB ADE3415-NB	AS2425-NB AD2425-NB AD3425-NB ADE3425-NB
Blank plate		CC06-BP	CC08-BP	CC10-BP	CC15-BP	CC25-BP

Manifold



Number of stations

2 : 2 station
 :
 :
 10 : 10 station

Type of manifold

CC: Common SUP, common EXH
 CI: Common SUP, individual EXH

Mountable solenoid valve series

06: A06 series
 08: A08 series
 10: A10 series
 15: A15 series
 25: A25 series

port size 2&4

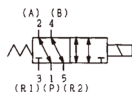
01: RC $\frac{1}{8}$
 02: RC $\frac{1}{4}$
 03: RC $\frac{1}{2}$
 04: RC $\frac{3}{4}$
 06: RC $\frac{1}{2}$
 08: RC1

Mountable solenoid valve

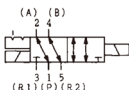


Model No.

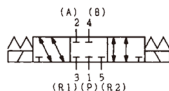
AS24



AD24



AD34



ADE34



Port size
 NB: Without sub-base

Versions

No mark : Standard
 I : With indicator light
 K : With surge suppressor
 P : With indicator light & surge suppressor

Voltage

110 : AC110V
 220 : AC220V

☒ Made to order



Tagging method

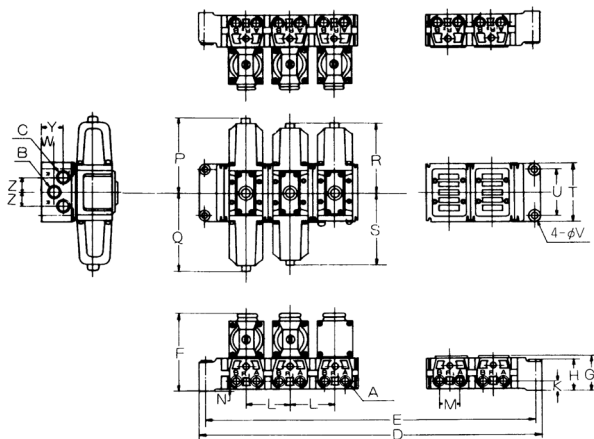
• Specify the type and number of manifolds and solenoid valves, as well as number of blank plate in accordance with the following example of description.

Example:

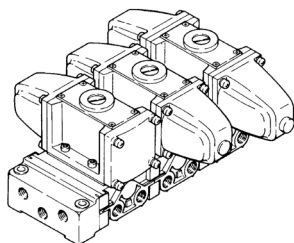
MF5-CC08-02	1 pcs.
PMS2408-NB-110	2 pcs.
PMD3406-NB-110	1 pcs.
CC08-BP	1 pcs.

MF□-CC08~25

(Unit: mm)

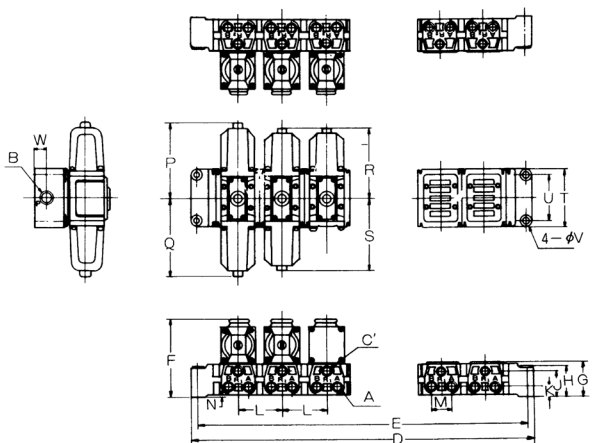


Specifications for connection

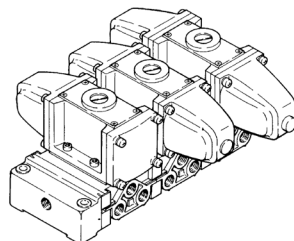


MF□-CI08~25

(Unit: mm)



Specifications for connection

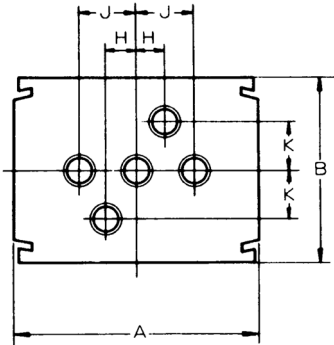


Model No.	A (Rc)	B (Rc)	C (Rc)	C' (Rc)	D	E	F	G	H	J	K	L	M	N	P	Q	R	S	T	U	V	W	Y	Z
MF-CC08	¼	¾	¾	—	(70×n) +80	(70×n) +64	124.5	52	51	—	16.5	70	32	4	126	130	107	111	90	74	8.5	19	35	22
MF-CI08	(¾)	¾	—	¼(¾)						39.5													—	—
MF-CC10	¾	½	½	—	(90×n) +90	(90×n) +60	137.4	54	48	—	18.5	90	43	4	154	154	135	135	120	100	10.5	30	30	32
MF-CI10	(½)	½	—	¾(½)						39.5													—	—
MF-CC15	½	¾	¾	—	(110×n) +110	(100×n) +80	157.5	69	60	—	23	110	52	4	175	175	165	165	144	120	12.5	35	35	37
MF-CI15	½	¾	—	½						49													—	—
MF-CC25	¾	1	1	—	(150×n) +140	(150×n) +110	209.5	85	80	—	29	150	73	4	254.9	254.9	201.9	201.9	200	170	15	50	50	54
MF-CI25	(1)	1	—	¾(1)						59													—	—

• "n" is the number of stations of manifold.

Bottom of manifold ported(Custom-made)

(Unit: mm)



Model No.	Port size	A	B	K	J	H
MF□-CC08,CI08	Rc $\frac{1}{4}$, $\frac{3}{8}$	90	70	20	28	12
MF□-CC10,CI10	Rc $\frac{3}{8}$, $\frac{1}{2}$	120	90	25	34	17
MF□-CC15,CI15	Rc $\frac{1}{2}$, $\frac{3}{4}$	114	110	30	45	22.5

Adaptor(connect a manifold of different size)

(Unit: mm)



Model No.	MFA-C0608	MFA-C0810	MFA-C1015
Applicable manifold	MF-C□06 MF-C□08	MF-C□08 MF-C□10	MF-C□10 MF-C□15
X	24	30	40

A