

A25 Series

3/5-Port Direct Operated Solenoid Valve
Metal Seal, In-line mounting/Sub-base Mounting type

AS2325

3□2-position, single solenoid

AS2425

5□2-position, single solenoid

AD2425

5□2-position, double solenoid

AD3425

5□3-position, closed center

ADE3425

5□3-position, ABR connect

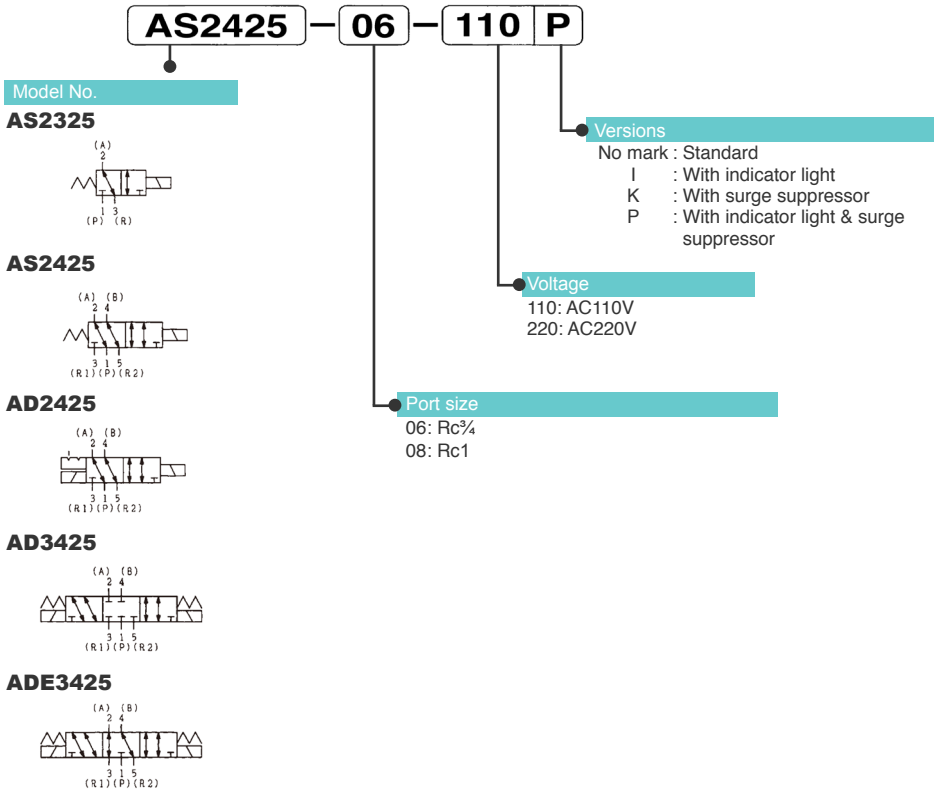


Specifications

Model No.		Unit	AS2325	AS2425	AD2425	AD3425	ADE3425	
Fluid			Non-lubricated/lubricated air					
Port size			Rc $\frac{3}{4}$, 1					
Effective area		mm ²	190	180	180	180	180	
CV value			10.3	9.76	9.76	9.76	9.76	
Operating ambient temperature		°C	-5~60					
Operating pressure range		MPa	-0.1~1					
Maximum frequency		cycle/min	60	60	60	60	60	
Response time (at 0.5MPa)		s (average)	0.035	0.035	0.030	0.035	0.035	
Rated voltage		V	AC/110, 220					
Grade of insulation			JIS grade B					
Permission voltage fluctuation		%	±10					
Rated frequency		Hz	50/60					
Apparent power	AC	Activation	50Hz	VA			80	80
			60Hz	VA			80	80
	Continuous	50Hz	VA			800	1400	
		60Hz	VA			800	1400	
Mass		kg	4.5	7.5(9)	12.8(14.3)	9(10.5)	9(10.5)	



- Supply complete-dry air to avoid freezing when temperature of valve site falls below 5°C
- Response time shown above is in accordance with JIB B 8375
- Effective area shown above is a value between ports 1 and 2, 4
- Mass in bracket()shown with Rc $\frac{3}{4}$ ported sub-base.



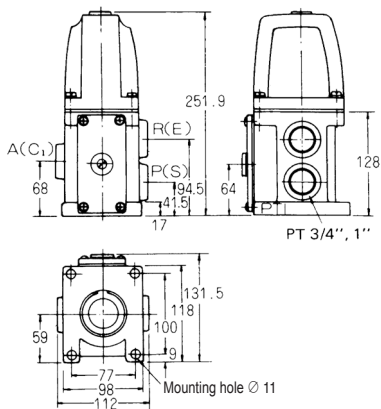
A

Optional Parts and Spare Parts

Parts Name		Model No.
Solenoid unit for 2-position	AC110V	A25-10810
	AC220V	A25-20880
Solenoid unit for 3-position	AC110V	A25-12510
	AC220V	A25-12520
Sub-base	Rc $\frac{3}{4}$	A25-SB-06
	Rc1	A25-SB-08
Base gasket		A25-G
Spring	For 2-position	A25-SS
	For 3-position	A25-3S

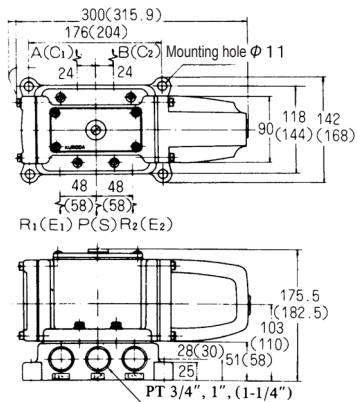
AS2325

(Unit: mm)



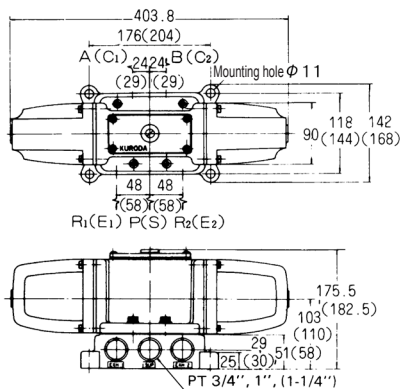
AS2425

(Unit: mm)



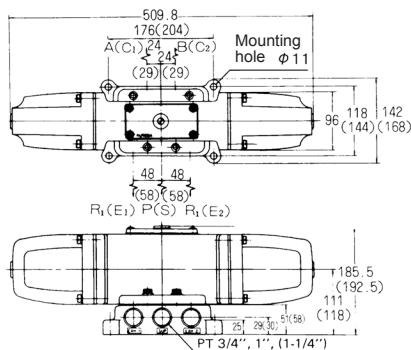
AD2425

(Unit: mm)



AD3425, ADE3425

(Unit: mm)



(Note) Dimensions in bracket()shown with Rc3/4 ported sub-base.