

A15 Series

3/5-Port Direct Operated Solenoid Valve
Metal Seal, In-line mounting/Sub-base Mounting type

AS2315

2-position, single solenoid

AS2415

2-position, single solenoid

AD2415

2-position, double solenoid

AD3415

3-position, closed center

ADE3415

3-position, Exhaust center



Specifications

Model No.		Unit	AS2315	AS2415	AD2415	AD3415	ADE3415	
Fluid			Non-lubricated/lubricated air					
Port size			Rc $\frac{1}{2}$, $\frac{3}{4}$					
Effective area		mm ²	80	75	75	75	75	
CV value			4.34	4.07	4.07	4.07	4.07	
Operating ambient temperature		°C	-5~60					
Operating pressure range		MPa	-0.1~1					
Maximum frequency		cycle/min	150	150	150	150	150	
Response time (at 0.5MPa)		s (average)	0.018	0.035	0.025	0.020	0.020	
Rated voltage		V	AC/110,220					
Grade of insulation			JIS grade B					
Permission voltage fluctuation		%	±10					
Rated frequency		Hz	50/60					
Apparent power	AC	Activation	50Hz	VA			38	38
			60Hz	VA			28	28
	Continuous	50Hz	VA			370	520	
		60Hz	VA			320	480	
Mass		kg	1.8	2.8(3.2)	3.6(4.0)	3.8(4.2)	3.8(4.2)	

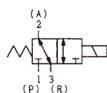


- Supply complete-dry air to avoid freezing when temperature of valve site falls below 5°C
- Response time shown above is in accordance with JIB B 8375
- Effective area shown above is a value between ports 1 and 2, 4
- Mass in bracket()shown with Rc $\frac{3}{4}$ ported sub-base.

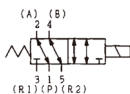
AS2415 – **04** – **110** **P**

Model No.

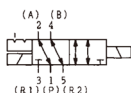
AS2315



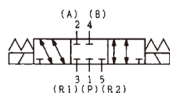
AS2415



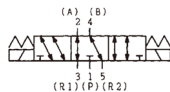
AD2415



AD3415



ADE3415



Versions

- No mark : Standard
- I : With indicator light
- K : With surge suppressor
- P : With indicator light & surge suppressor

Voltage

- 110: AC110V
- 220: AC220V

Port size

- 04: Rc $\frac{1}{2}$
- 06: Rc $\frac{3}{4}$

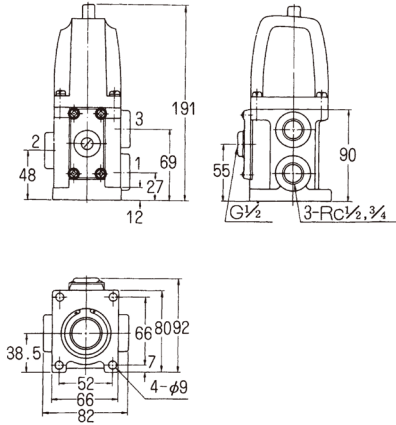
A

Optional Parts and Spare Parts

Parts Name		Model No.
Solenoid unit for 2-position	AC110V	A15-10710
	AC220V	A15-20720
Solenoid unit for 3-position	AC110V	A15-11510
	AC220V	A15-21520
Sub-base	Rc $\frac{1}{2}$	A15-SB-04
	Rc $\frac{3}{4}$	A15-SB-06
Base gasket		A15-G
Spring	For 2-position	A15-SS
	For 3-position	A15-3S

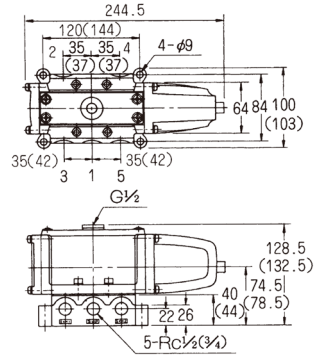
AS2315

(Unit: mm)



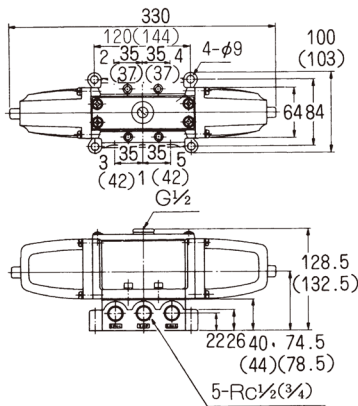
AS2415

(Unit: mm)



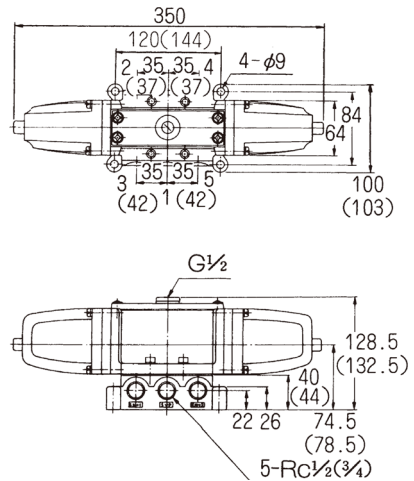
AD2415

(Unit: mm)



AD3415, ADE3415

(Unit: mm)



(Note) Dimensions in bracket () shown with Rc $\frac{1}{4}$ ported sub-base.

Bottom porting

(Unit: mm)

