

A10 Series

3/5-Port Direct Operated Solenoid Valve
Metal Seal, In-line mounting/Sub-base Mounting type

AS2310

3□2-position, single solenoid

AS2410

5□2-position, single solenoid

AD2410

5□2-position, double solenoid

AD3410

5□3-position, closed center

ADE3410

5□3-position, ABR connect



Specifications

Model No.		Unit	AS2310	AS2410	AD2410	AD3410	ADE3410	
Fluid			Non-lubricated/lubricated air					
Port size			Rc $\frac{1}{2}$, $\frac{1}{2}$					
Effective area		mm ²	38	50	50	50	50	
CV value			2.06	2.71	2.71	2.71	2.71	
Operating ambient temperature		°C	-5~60					
Operating pressure range		MPa	-0.1~1					
Maximum frequency		cycle/min	350	350	350	200	200	
Response time (at 0.5MPa)		s (average)	0.016	0.02	0.015	0.015	0.015	
Rated voltage		V	AC/110, 220					
Grade of insulation			JIS grade B					
Permission voltage fluctuation		%	±10					
Rated frequency		Hz	50/60					
Apparent power	AC	Activation	50Hz	VA			36	36
			60Hz	VA			27	27
	Continuous	50Hz	VA			290	430	
		60Hz	VA			250	360	
Mass		kg	1.3	1.9	2.7	2.9	2.9	

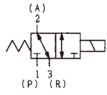


- Supply complete-dry air to avoid freezing when temperature of valve site falls below 5°C
- Response time shown above is in accordance with JIB B 8375
- Effective area shown above is a value between ports 1 and 2, 4

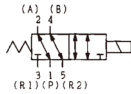
AS2410 - 03 - 110 P

Model No.

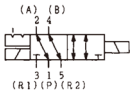
AS2310



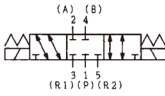
AS2410



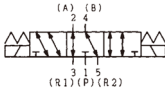
AD2410



AD3410



ADE3410



Versions

- No mark : Standard
- I : With indicator light
- K : With surge suppressor
- P : With indicator light & surge suppressor

Voltage

- 110: AC110V
- 220: AC220V

Port size

- 03: Rc $\frac{3}{8}$
- 04: Rc $\frac{1}{2}$

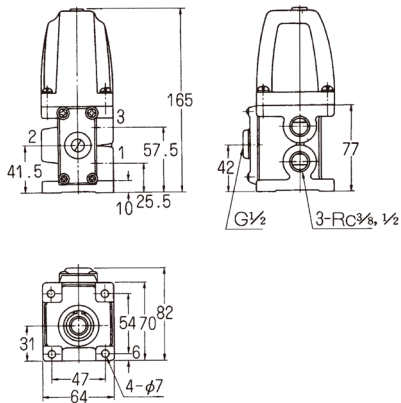
A

Optional Parts and Spare Parts

Parts Name		Model No.
Solenoid unit for 2-position	AC110V	A10-10610
	AC220V	A10-20620
Solenoid unit for 3-position	AC110V	A10-11310
	AC220V	A10-21320
Sub-base	Rc $\frac{3}{8}$	A10-SB-03
	Rc $\frac{1}{2}$	A10-SB-04
Base gasket		A10-G
Spring	For 2-position	A10-SS
	For 3-position	A10-3S

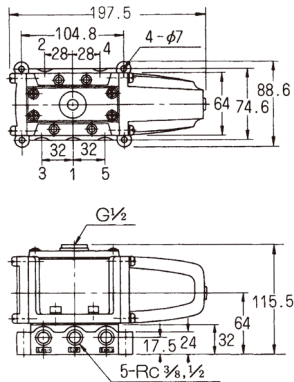
AS2310

(Unit: mm)



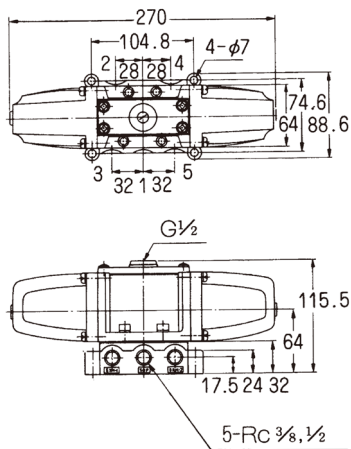
AS2410

(Unit: mm)



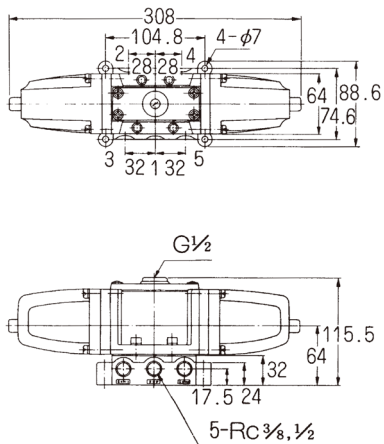
AD2410

(Unit: mm)



AD3410, ADE3410

(Unit: mm)



Bottom porting

(Unit: mm)

