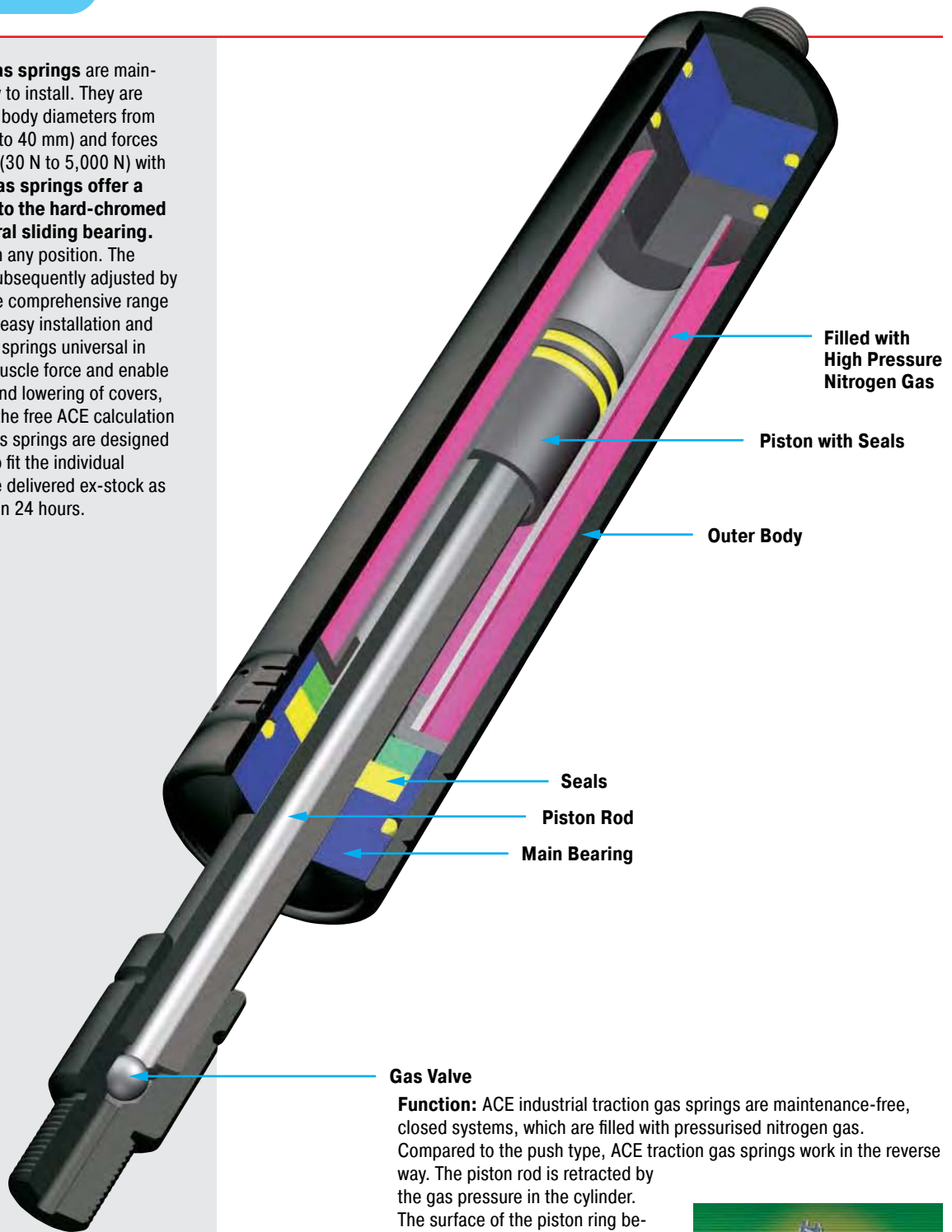


Industrial traction gas springs are maintenance-free and ready to install. They are available ex-stock with body diameters from 0.59" to 1.57" (15 mm to 40 mm) and forces from 7 lbs to 1,124 lbs (30 N to 5,000 N) with valve. **ACE traction gas springs offer a long service life due to the hard-chromed piston rod and integral sliding bearing.** They can be installed in any position. The traction force can be subsequently adjusted by means of the valve. The comprehensive range of fitting parts ensures easy installation and makes the traction gas springs universal in use. They supply the muscle force and enable the controlled raising and lowering of covers, hoods, flaps etc. With the free ACE calculation service, the traction gas springs are designed with mounting points to fit the individual application, and can be delivered ex-stock as express deliveries within 24 hours.



Gas Valve

Function: ACE industrial traction gas springs are maintenance-free, closed systems, which are filled with pressurised nitrogen gas. Compared to the push type, ACE traction gas springs work in the reverse way. The piston rod is retracted by the gas pressure in the cylinder. The surface of the piston ring between the piston rod and the inner tube determines the force of the gas spring. Traction gas springs are always mounted with the stroke fully compressed.

Operating fluid: Nitrogen gas

Mounting: In any position

Operating temperature range:

-4 °F to 176 °F (-20 °C to 80 °C)

On request: Special force curves, special lengths, alternative seals and end fittings.

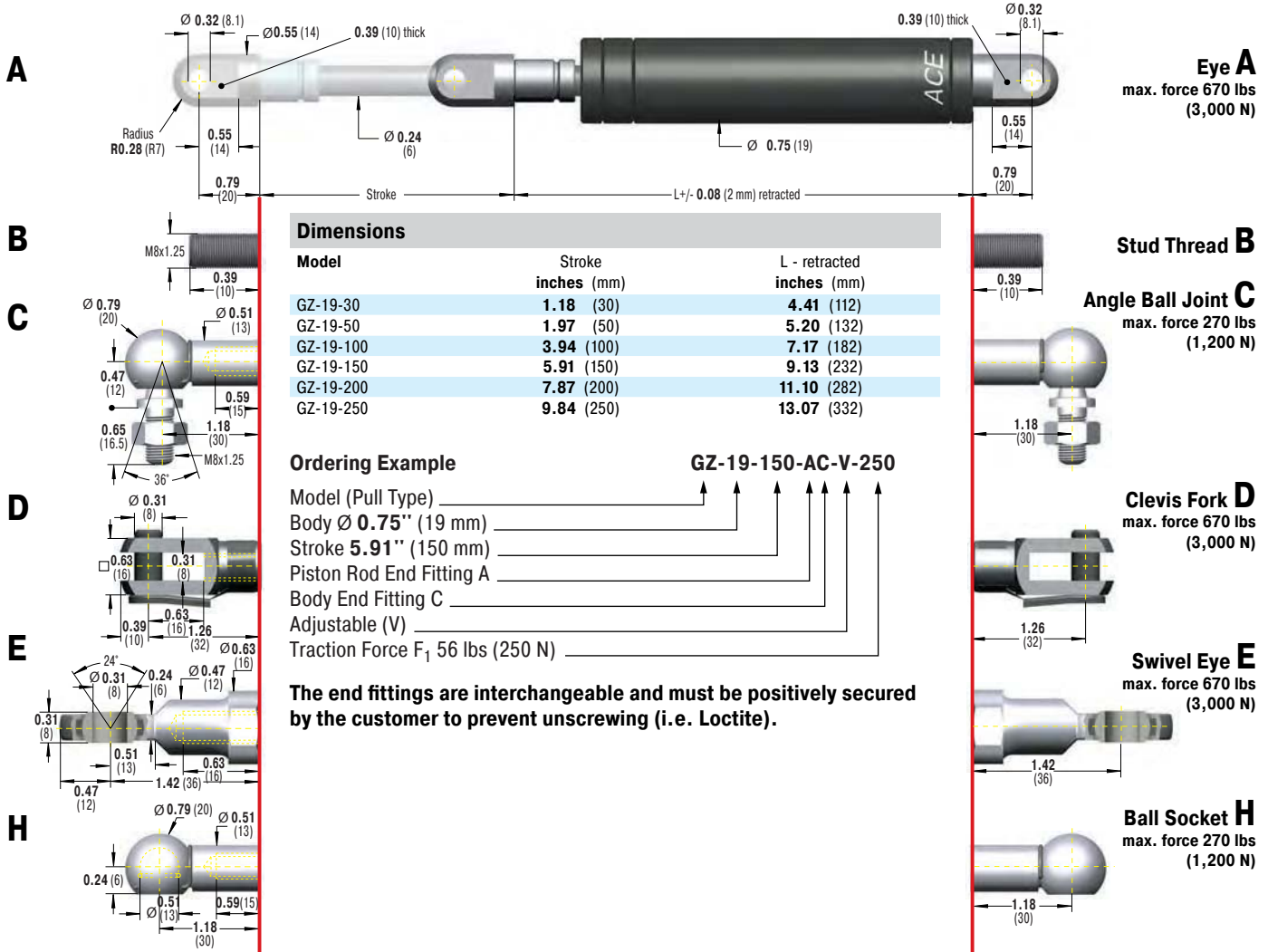


Traction (Pull) Forces 7 lbs to 67 lbs (30 N to 300 N)
[when Piston Rod Extended up to 74 lbs (330 N)]

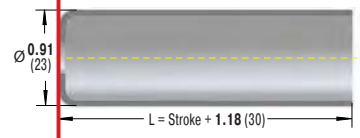
End Fitting

Standard Dimensions – inches and (mm)

End Fitting

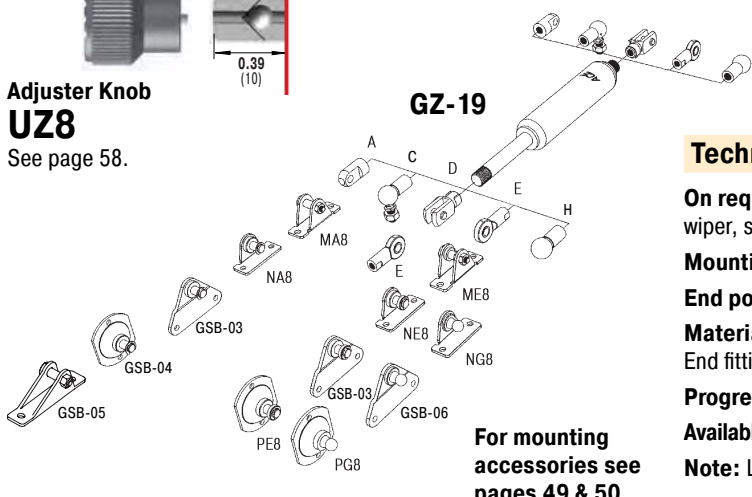


Rod Shroud W8-19



Adjuster Knob UZ8

See page 58.



For mounting accessories see pages 49 & 50.

Technical Data

- On request:** Special force curves, special lengths, alternative end fittings, wiper, stainless steel.
- Mounting:** In any position. Install mechanical stop in extended position.
- End position damping length:** Without damping.
- Material:** Piston rod: Hard chrome plated. Body: black coated. End fittings: Zinc plated steel.
- Progression:** Approx. 10%, F₂ max. 74 lbs (330 N)
- Available traction force range F₁ at 68 °F (20 °C):** 7 lbs to 67 lbs (30 N to 300 N)
- Note:** Lifetime approx. 2,000 m



Industrial Traction Gas Springs GZ-28 (Pull Type)

Traction (Pull) Forces 34 lbs to 270 lbs (150 N to 1,200 N)
[when Piston Rod Extended up to 324 lbs (1,440 N)]

End Fitting

Standard Dimensions – inches and (mm)

End Fitting

Dimensions

Model	Stroke inches (mm)	L - retracted inches (mm)
GZ-28-30	1.18 (30)	5.12 (130)
GZ-28-50	1.97 (50)	5.91 (150)
GZ-28-100	3.94 (100)	7.87 (200)
GZ-28-150	5.91 (150)	9.84 (250)
GZ-28-200	7.87 (200)	11.81 (300)
GZ-28-250	9.84 (250)	13.78 (350)
GZ-28-300	11.81 (300)	15.75 (400)
GZ-28-350	13.78 (350)	17.72 (450)
GZ-28-400	15.75 (400)	19.69 (500)
GZ-28-450	17.72 (450)	21.65 (550)
GZ-28-500	19.69 (500)	23.62 (600)
GZ-28-550	21.65 (550)	25.59 (650)
GZ-28-600	23.62 (600)	27.56 (700)
GZ-28-650	25.59 (650)	29.53 (750)

Ordering Example
GZ-28-150-EE-V-800
 Type (Pull Type) _____
 Body \varnothing 1.10" (28 mm) _____
 Stroke 5.91" (150 mm) _____
 Piston Rod End Fitting E _____
 Body End Fitting E _____
 Adjustable (V) _____
 Traction Force F_1 180 lbs (800 N) _____

The end fittings are interchangeable and must be positively secured by the customer to prevent unscrewing (i.e. Loctite).

Eye A
max. force 2,248 lbs (10,000 N)

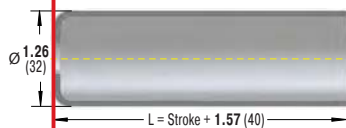
Stud Thread B

Angle Ball Joint C
max. force 405 lbs (1,800 N)

Clevis Fork D
max. force 2,248 lbs (10,000 N)

Swivel Eye E
max. force 2,248 lbs (10,000 N)

Rod Shroud W10-28

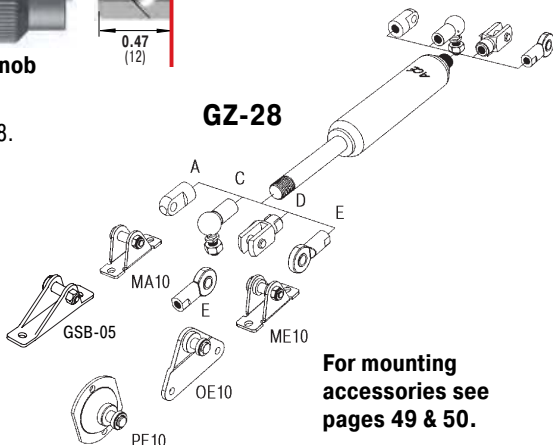


Adjuster Knob UZ10

See page 58.



GZ-28



For mounting accessories see pages 49 & 50.

Technical Data

On request: Special force curves, special lengths, alternative end fittings, wiper, stainless steel.

Mounting: In any position. Install mechanical stop in extended position.

End position damping length: Without damping.

Material: Piston rod: Hard chrome plated. Body: black coated. End fittings: Zinc plated steel.

Progression: Approx. 20%, F_2 max. 324 lbs (1,440 N)

Available traction force range F_1 at 68 °F (20 °C): 34 lbs to 270 lbs (150 N to 1200 N)

Note: Lifetime approx. 2,000 m

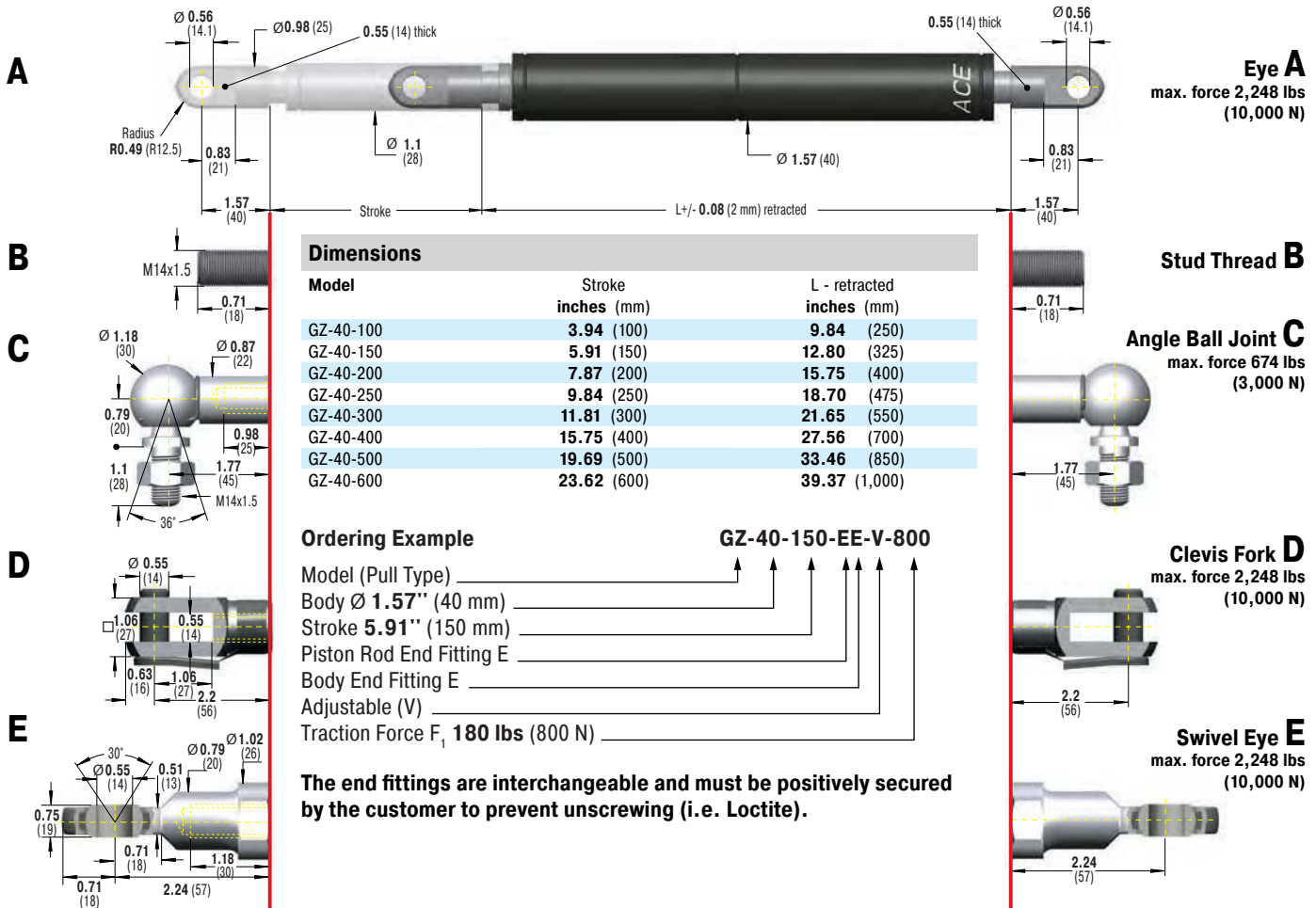


Traction (Pull) Forces 90 lbs to 1,124 lbs (400 N to 5,000 N)
[when Piston Rod Extended up to 1,574 lbs (7,000 N)]

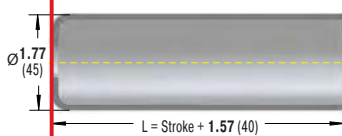
End Fitting

Standard Dimensions – inches and (mm)

End Fitting



Rod Shroud W14-40

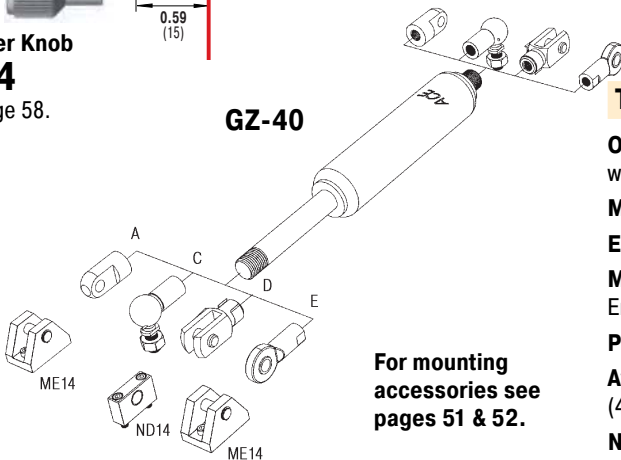


Adjuster Knob UZ14

See page 58.



GZ-40



For mounting accessories see pages 51 & 52.

Technical Data

On request: Special force curves, special lengths, alternative end fittings, wiper, stainless steel.

Mounting: In any position. Install mechanical stop in extended position.

End position damping length: Without damping

Material: Piston rod: Hard chrome plated. Body: black coated. End fittings: Zinc plated steel.

Progression: approx. 40%, F₂ max. 1,574 (7,000 N)

Available traction force range F₁ at 68 °F (20 °C): 90 lbs to 1,124 lbs (400 N to 5,000 N)

Note: Lifetime approx. 2,000 m