

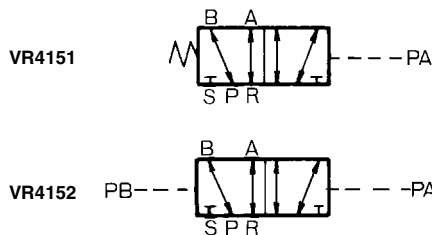
# Transmitters: Relay Valve

## Series VR4151/4152

Appropriate output sequences are affected according to the signal received from the mechanical valve. It is equivalent to the auxiliary relay of an electrical system.



JIS Symbol



### Specifications

Fluid	Air	
Operating pressure	0 to 1.0 MPa	
Pilot pressure	0.15 to 1.0 MPa	
Ambient and fluid temperature	-5 to 60°C (No freezing)	
Effective area	1/8 : 7mm <sup>2</sup>	
Port size	1/8	
Mass	Side ported	350 g
	Bottom ported	300 g
Lubrication	Not required (Use turbine oil Class 1 ISO VG32, if lubricated.)	

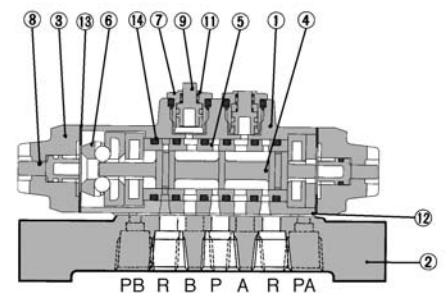
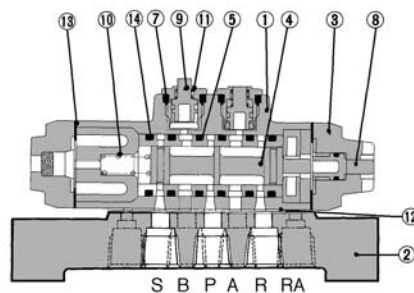
### Model

Function	Sub-plate	Model	Indicator	
Single pilot	W/o sub-plate	VR4151-00-0	○	
		VR4151-00-1		
	W/ sub-plate	Side piping	VR4151-01A-0	○
		Bottom piping	VR4151-01B-0	
Double pilot	W/o sub-plate	VR4151-01B-1	○	
		VR4152-00-0		○
	W/ sub-plate	Side piping	VR4152-00-1	
		Bottom piping	VR4152-01A-0	
	W/ sub-plate	Bottom piping	VR4152-01A-1	○
			VR4152-01B-0	
		VR4152-01B-1	○	

### Construction

VR4151

VR4152



### ⚠ Precautions

Be sure to read before handling. Refer to front matters 58 and 59 for Safety Instructions and pages 3 to 7 for 3/4/5 Port Solenoid Valve Precautions.

### Environment

### ⚠ Caution

Operate the valve in an area in which the vibration does not exceed 5 G. Vibrations could cause the valve to malfunction.

### Component Parts

No.	Description	Material	No.	Description	Material
1	Valve	ADC	8	Manual button	PE
2	Sub-plate	ZDC	9	Piston	PE
3	Pilot cover	ADC	10	Spring	Steel
4	Spool	Stainless steel	11	Spring	Stainless steel
5	Sleeve	Stainless steel	12	Gasket	NBR
6	Detent assembly		13	Gasket	NBR
7	Piston cover	Brass	14	O-ring	NBR

## How to Order

**VR41 5 1 - 01 A - 1**

• **Indicator light**

0	No
1	Yes

• **Sub-plate**

A	Side piping
B	Bottom piping

• **Port size**

00	W/o sub-plate
01	Rc 1/8
N01	NPT 1/8
F01	G 1/8

• **Number of pilot ports**

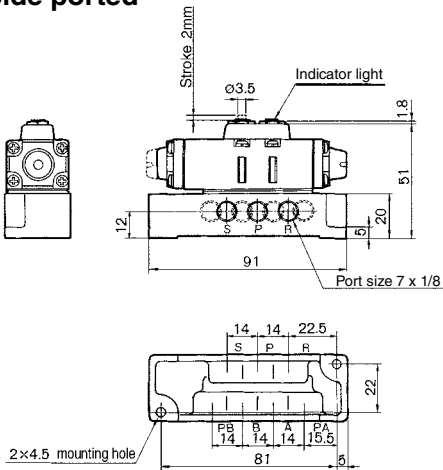
1	Single pilot
2	Double pilot

• **Number of ports**

5	5 port
---	--------

## Dimensions

### Side ported



### Bottom ported

