

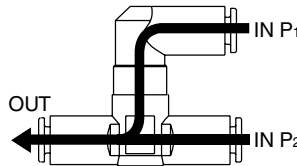
Transmitters: AND Valve with One-touch Fittings Series **VR1211F**

Relay valves for controlling pneumatic signal lines

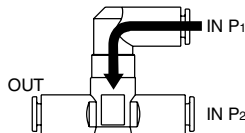
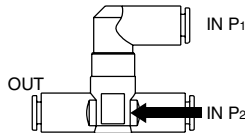


Only when air is supplied to both P₁ and P₂ does air flow to the OUT side.

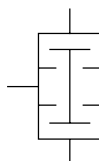
When air pressure differs, pressure in the lower amount flows to the OUT side.



If air is supplied only to either P₁ or P₂, it does not flow to the OUT side.



JIS Symbol



Model

Model	Applicable tubing O.D.					
	Metric size			Inch size		
	3.2	4	6	1/8"	5/32"	1/4"
VR1211F	●	●	●	●	●	●

Specifications

Proof pressure	1.5 MPa
Max. operating pressure	1.0 MPa
Min. operating pressure	0.05 MPa
Ambient temperature and operating fluid temperature	-5 to 60°C (No freezing)
Applicable tubing material ⁽¹⁾	Nylon, Soft nylon, Polyurethane

Note 1) Use caution about the maximum operating pressure when soft nylon and polyurethane is used. (Refer to Best Pneumatics No. 6.)

Note 2) Brass components are all electroless nickel plated as standard.
(Copper-free and fluorine-free)

Flow Rate and Effective Area

Model		VR1211F			
Applicable tubing O.D.	Metric size	ø3.2	ø4	ø6	-
	Inch size	ø1/8"	ø5/32"	-	ø1/4"
IN→OUT	Flow rate ℓ/min (ANR)	100	120	150	170
	Effective area (mm ²)	1.5	1.8	2.3	2.6

Note) Flow rate is the value measured under a pressure of 0.5 MPa and a temperature of 20°C.

How to Order

VR 12 1 1 F - 06

Body size

1 | 1/8 standard

AND valve

Applicable tubing O.D.

Metric size	Inch size
23 ø3.2 *	01 ø1/8"
04 ø4	03 ø5/32"
06 ø6	07 ø1/4"

* For ø3.2, use ø1/8" tubing.

With One-touch fittings

VM□

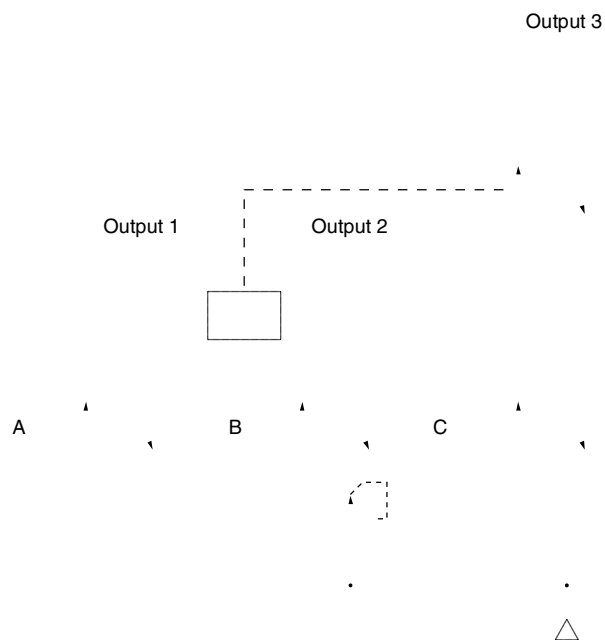
VMG

VR□

VH□

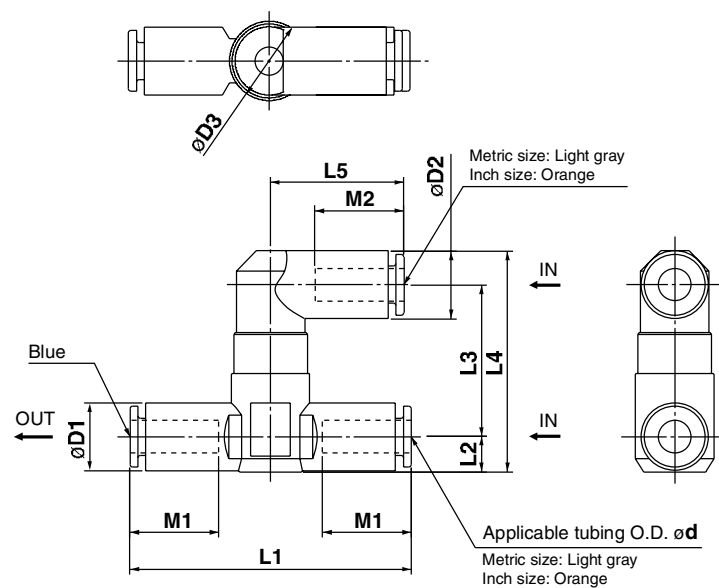
Series VR1211F

Example of Operating Circuit



- If both A and B are turned ON, which are in different pressure conditions, both output 1 and 2 will turn ON
- Only when output 1 and 2 are in the ON state, and C turns ON, will output 3 turn ON.
- If either A or B is turned OFF, output 3 will not be turned ON, even if C is turned ON.

Dimensions



Metric Size

Model	d	D1	D2	D3	L1	L2	L3	L4	L5	M1	M2	Mass (g)
VR1211F-23	3.2	11.4	8.4		52	6.2	25.7	36.1	17.5	12.7	12.9	26.4
VR1211F-04	4	11	10.4	14.8	53	6.8	26.6	37.8	21.9	16.5	15.8	20.8
VR1211F-06	6	12.8	12.8		53.2		28.8	41.9	25.2	16.8	16.8	25.0

Inch Size

Model	d	D1	D2	D3	L1	L2	L3	L4	L5	M1	M2	Mass (g)
VR1211F-01	1/8"	11.4	8.4		52	6.2	25.7	36.1	17.5	12.7	12.9	26.4
VR1211F-03	5/32"	11	10.4	14.8	53	6.8	26.6	37.8	21.9	16.5	15.8	20.8
VR1211F-07	1/4"	13.2	13.2		54.4	7.1	28.8	42.5	25.6	16.8	16.8	27.0