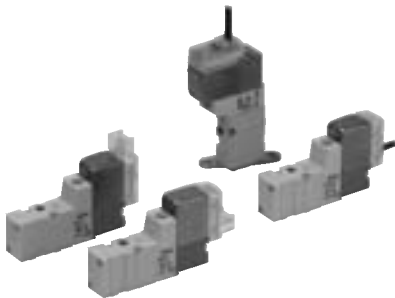
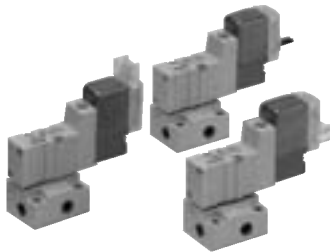


# Rubber Seal 3 Port Pilot Solenoid Valve Series SYJ300



Body ported



Base mounted

## Specifications

Fluid		Air
Operating pressure range (MPa)	Internal pilot	0.15 to 0.7
Ambient and fluid temperature (°C)		-10 to 50 (No freezing. )
Response time ms (at 0.5 MPa) <sup>Note 1)</sup>		15 or less
Max. operating frequency (Hz)		10
Manual override (Manual operation)		Non-locking push type, push-turn locking slotted type, push-turn locking lever type
Pilot exhaust method		Individual exhaust for the pilot valve, common exhaust for the pilot and main valve
Lubrication		Not required
Mounting orientation		Unrestricted
Shock/Vibration resistance (m/s <sup>2</sup> ) <sup>Note 2)</sup>		150/30
Enclosure		Dust proof (* M8 connector conforms to IP65.)



\* Based on IEC60529

Note 1) Based on dynamic performance test, JIS B 8374-1981. (Coil temperature: 20°C, at rated voltage, without surge voltage suppressor.)

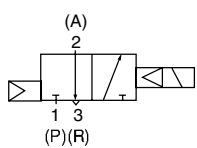
Note 2) Impact resistance: No malfunction occurred when it is tested in the axial direction and at the right angles to the main valve and armature in both energized and de-energized states every once for each condition. (Value in the initial state)

Vibration resistance: No malfunction occurred in one sweep test between 45 and 2000 Hz. Test was performed at both energized and de-energized states in the axial direction and at the right angles to the main valve and armature. (Value in the initial state)

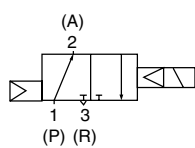
## JIS Symbol

### Internal pilot

SYJ31<sup>2</sup>/<sub>4</sub>

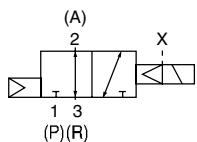


SYJ32<sup>2</sup>/<sub>4</sub>

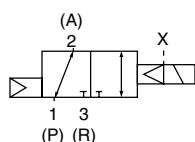


### External pilot

SYJ31<sup>2</sup>/<sub>4</sub>R



SYJ32<sup>2</sup>/<sub>4</sub>R



## Solenoid Specifications

Electrical entry		Grommet (G), (H), L plug connector (L), M plug connector (M), M8 connector (W)	
Coil rated voltage (V)	DC	24, 12, 6, 5, 3	
	AC <sup>50/60</sup> Hz	100, 110, 200, 220	
Allowable voltage fluctuation		±10% of rated voltage *	
Power consumption (W)	DC	Standard	0.35 (With light: 0.4)
		With power saving circuit	0.1 (With light only)
Apparent power (VA) *	AC	100 V	0.78 (With light: 0.81)
		110 V [115 V]	0.86 (With light: 0.89) [0.94 (With light: 0.97)]
		200 V	1.18 (With light: 1.22)
		220 V [230 V]	1.30 (With light: 1.34) [1.42 (With light: 1.46)]
Surge voltage suppressor		Diode (varistor when non-polar types)	
Indicator light		LED	



\* In common between 110 VAC and 115 VAC, and between 220 VAC and 230 VAC.

\* For 115 VAC and 230 VAC, the allowable voltage is -15% to +5% of rated voltage.

\* S, Z and T type (with power saving circuit) should be used within the following allowable voltage fluctuation range due to a voltage drop caused by the internal circuit.

S and Z type: 24 VDC: -7% to +10%

12 VDC: -4% to +10%

T type: 24 VDC: -8% to +10%

12 VDC: -6% to +10%



Made to Order

(For details, refer to pages 1422 to 1423.)

## Flow Characteristics/Mass

Valve model		Type of actuation	Port size	Flow characteristics						Effective area (mm <sup>2</sup> )	Mass (g) <sup>Note)</sup>		
				1→2 (P→A)			2→3 (A→R)				Grommet	L/M plug connector	M8 connector
				C [dm <sup>3</sup> /(s bar)]	b	Cv	C [dm <sup>3</sup> /(s bar)]	b	Cv				
Body ported	<b>SYJ312</b>	N.C.	M3 x 0.5	—	—	—	—	—	—	0.9	32	33	37
	<b>SYJ322</b>	N.O.		—	—	—	—	—	—				
Base mounted (with sub-plate)	<b>SYJ314</b>	N.C.	M5 x 0.8	0.41	0.18	0.086	0.35	0.33	0.086	—	53 (32)	54 (33)	58 (37)
	<b>SYJ324</b>	N.O.		0.36	0.31	0.089	0.36	0.31	0.089				



Note) Value for DC. Add 1 g for AC. ( ): Without sub-plate.

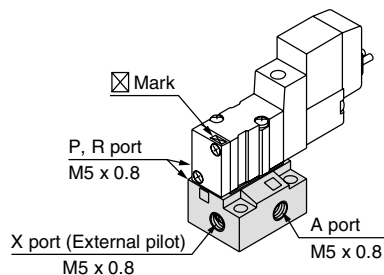
## External Pilot

### SYJ300R

Pilot valve pressure is supplied separately from the main valve pressure through the use of a separate supply port. It can be used in the vacuum (up to -100 kPa) or low pressure line with 0.15 MPa or less.

### Specifications

Applicable model	Base mounted ( <b>SYJ314R, SYJ324R</b> )	
Operating pressure range MPa	Main pressure	-100 kPa to 0.7
	External pilot pressure	0.15 to 0.7



Note 1) For manifold base, refer to page 1378.

Note 2) External pilot type body ported valves (SYJ3□2R) can only be used on the manifold.

## How to Order

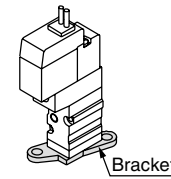
### Light/surge voltage suppressor

Nil	Without light/surge voltage suppressor
S	With surge voltage suppressor
Z	With light/surge voltage suppressor
R	With surge voltage suppressor (Non-polar type)
U	With light/surge voltage suppressor (Non-polar type)

- \* For AC voltage valves there is no "S" option. It is already built-in to the rectifier circuit.
- \* For type R, U, DC voltage is only available.
- \* Power saving circuit is only available in the "Z" type.

### Bracket

Nil: Without bracket  
F : With bracket



- \* Bracket is mounted.
- \* Brackets cannot be retrofitted.
- \* External pilot type is not available.

### Rated voltage

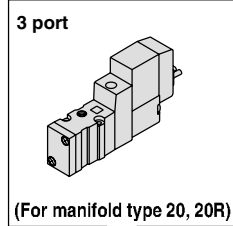
DC	
5	24 VDC
6	12 VDC
V	6 VDC
S	5 VDC
R	3 VDC

AC (50/60 Hz)	
1	100 VAC
2	200 VAC
3	110 VAC [115 VAC]
4	220 VAC [230 VAC]

- \* For type W□, DC voltage is only available.

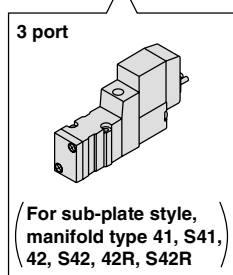
### Type of actuation

1	Normally closed
2	Normally open



**Body ported SYJ3** 1 2 □ □ - 5 M □ □ - M3 - □ - □

**Base mounted SYJ3** 1 4 □ □ - 5 M □ □ - □ - □



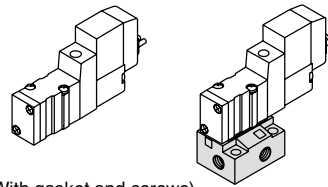
### Coil specifications

Nil	Standard
T	With power saving circuit (24, 12 VDC only)

- \* Power saving circuit is not available in the case of W□ type.

### Port size

Nil: Without sub-plate M5: M5 port With sub-plate



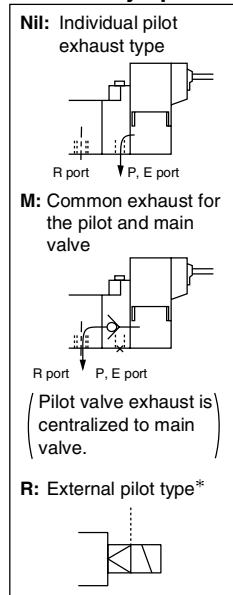
(With gasket and screws)

### CE-complaint

Nil	—
Q	CE-complaint

- \* CE-compliant: For DC only.

### Body option



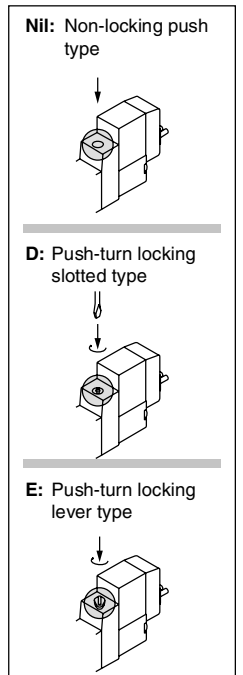
- \* SYJ3□2R is only for manifold use.

### Electrical entry

24, 12, 6, 5, 3 VDC/100, 110, 200, 220 VAC				24, 12, 6, 5, 3 VDC	
Grommet	L plug connector	M plug connector		M8 connector	
<b>G:</b> Lead wire length 300 mm	<b>L:</b> With lead wire (Length 300 mm)	<b>M:</b> With lead wire (Length 300 mm)	<b>MN:</b> Without lead wire	<b>WO:</b> Without connector cable	
<b>H:</b> Lead wire length 600 mm	<b>LN:</b> Without lead wire	<b>LO:</b> Without connector	<b>MO:</b> Without connector	<b>W□:</b> With connector cable (Note 1)	

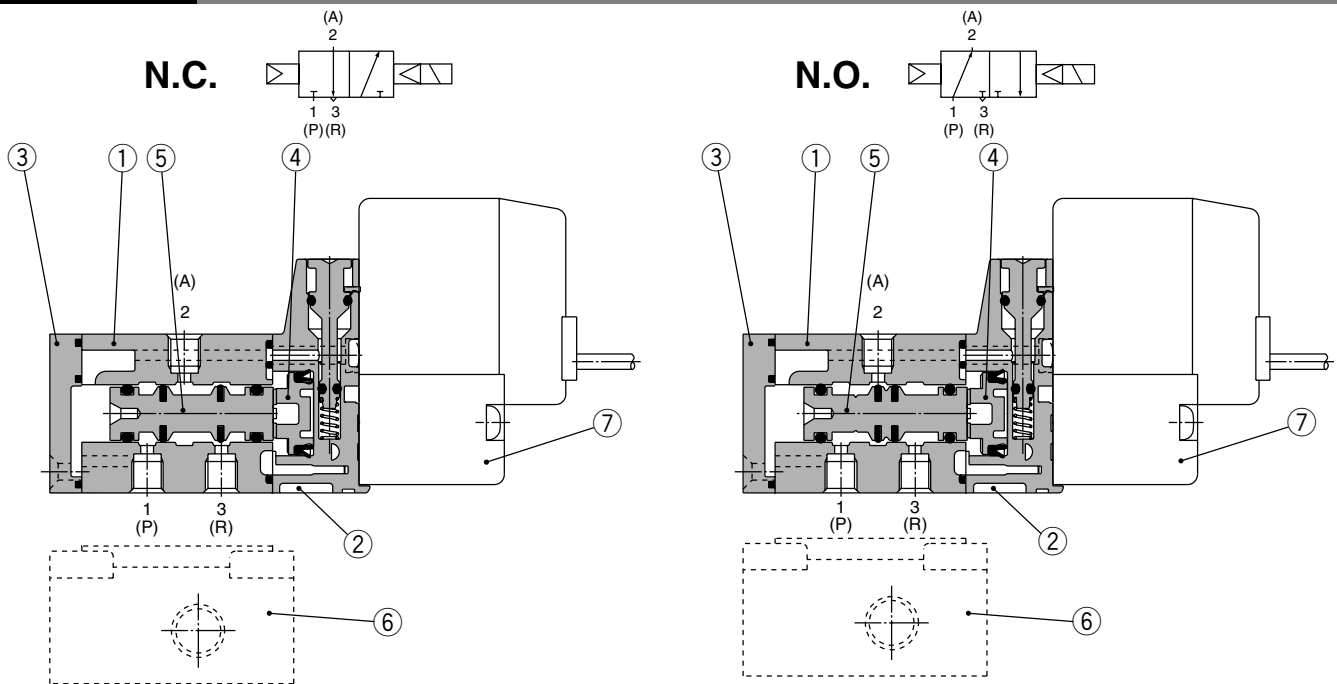
- \* LN, MN type: with 2 sockets.
- \* Refer to page 1425 for the lead wire length of L and M plug connectors.
- \* Refer to page 1428 for the connector assembly with cover for L and M plug connectors.
- \* For connector cable of M8 connector, refer to page 1429.
- \* A M8 connector conforming to IEC60947-5-2 is also available. Refer to page 1422 for details. Note 1) Enter the cable length symbols in □. Please be sure to fill in the blank referring to page 1429.

### Manual override



- Note) When placing an order for body ported solenoid valve as a single unit, mounting screws for manifold and gasket are not attached. Order them separately, if necessary. (For details, refer to page 1379.)

## Construction



### Component Parts

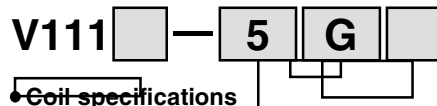
No.	Description	Material	Note
1	<b>Body</b>	Zinc die-casted	White
2	<b>Piston plate</b>	Resin	White
3	<b>End cover</b>	Resin	White
4	<b>Piston</b>	Resin	—
5	<b>Spool valve assembly</b>	Aluminum, H-NBR	—

### Replacement Parts

No.	Description	Part no.	Note
6	<b>Sub-plate</b> <sup>Note)</sup>	SYJ300-9-1(-Q)	Zinc die-casted
7	<b>Pilot valve</b>	V111(T)-□□□□	

Note) Add suffix "-Q" for the CE-compliant product.

## How to Order Pilot Valve Assembly



### Coil specifications

Nil	Standard
T	With power saving circuit (24, 12 VDC only)

\* Power saving circuit is not available in the case of W□ type.

### Rated voltage

5	24 VDC
6	12 VDC
V	6 VDC
S	5 VDC
R	3 VDC
1	100 VAC 50/60 Hz
2	200 VAC 50/60 Hz
3	110 VAC 50/60 Hz [115 VAC 50/60 Hz]
4	220 VAC 50/60 Hz [230 VAC 50/60 Hz]

\* For type W□, DC voltage is only available.  
\* CE-compliant: For DC only.

### Light/surge voltage suppressor

Nil	Without light/surge voltage suppressor
S	With surge voltage suppressor
Z	With light/surge voltage suppressor
R	With surge voltage suppressor (Non-polar type)
U	With light/surge voltage suppressor (Non-polar type)

\* For AC voltage valves there is no "S" option. It is already built-in to the rectifier circuit.  
\* For "R" and "U", DC voltage is only available.  
\* Power saving circuit is only available in the "Z" type.

### Electrical entry

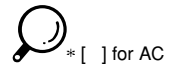
G	Grommet, 300 mm lead wire	
H	Grommet, 600 mm lead wire	
L	L plug	With lead wire
LN	L plug connector	Without lead wire
LO	L plug connector	Without connector
M	M plug	With lead wire
MN	M plug connector	Without lead wire
MO	M plug connector	Without connector
WO	M8 connector	Without connector cable
W□	M8 connector	With connector cable <sup>Note 1)</sup>

\* For connector cable of M8 connector, refer to page 1429.  
Note 1) Enter the cable length symbols in □. Please be sure to fill in the blank referring to page 1429.

Since V111 is CE-compliant as standard, the suffix "-Q" is not necessary.

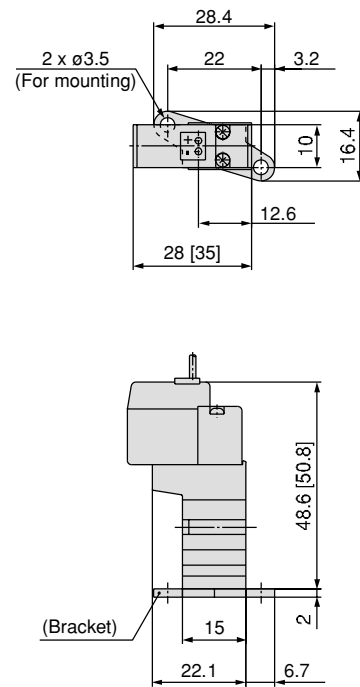
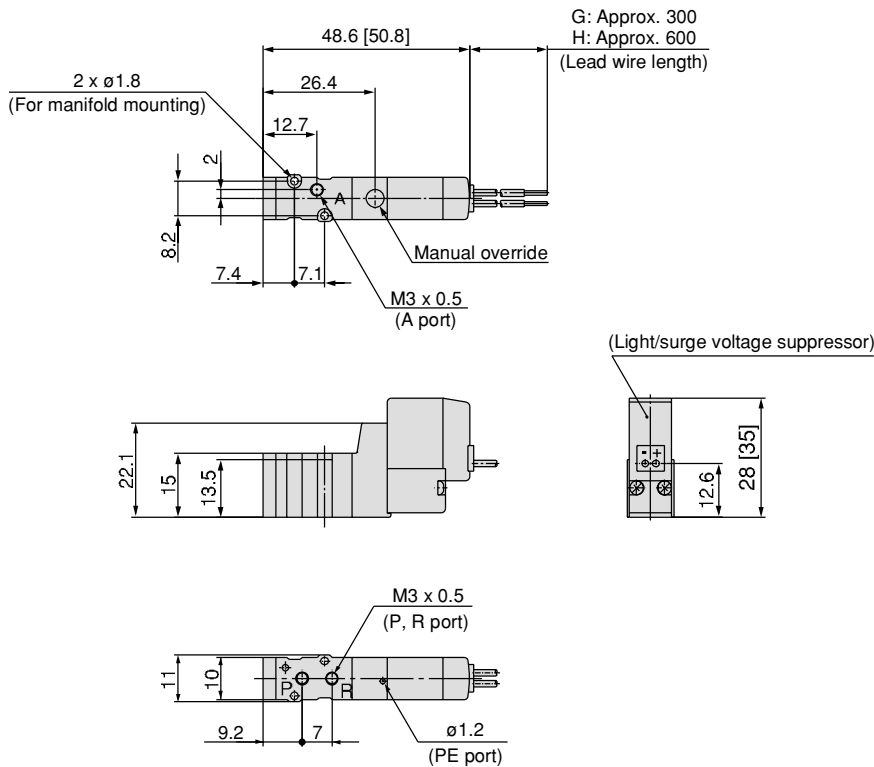
# Series SYJ300

## Body Ported



Grommet (G), (H): SYJ3□2-□<sup>G</sup>□□-M3

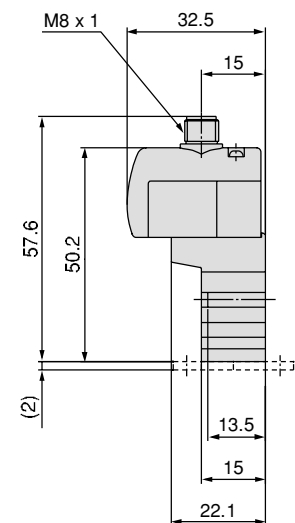
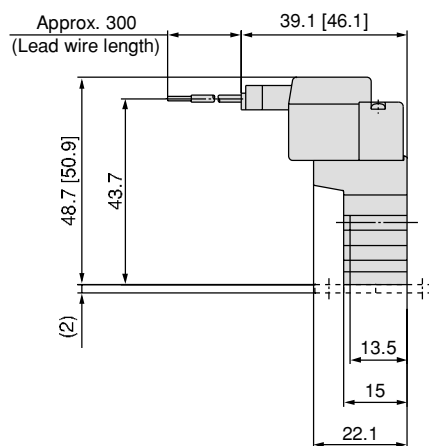
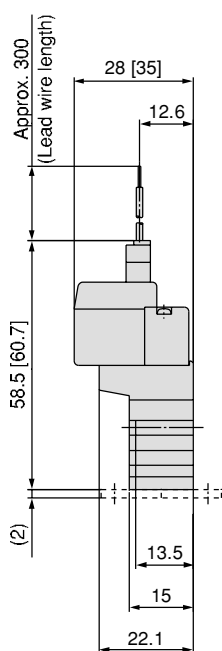
With bracket:  
SYJ3□2-□<sup>G</sup>□□-M3-F



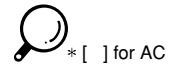
L plug connector (L):  
SYJ3□2-□L□□-M3

M plug connector (M):  
SYJ3□2-□M□□-M3

M8 connector (WO):  
SYJ3□2-□WO□□-M3

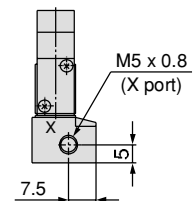
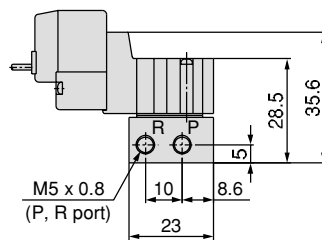
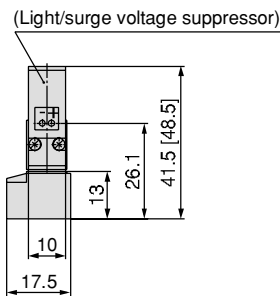
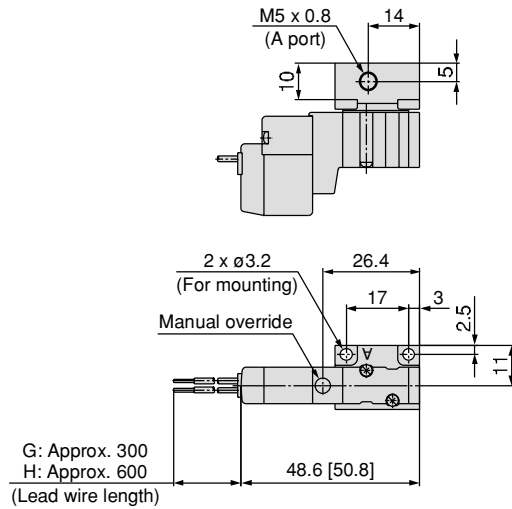


\* Refer to page 1429 for dimensions with connector cable.



**Base Mounted (With Sub-plate)**

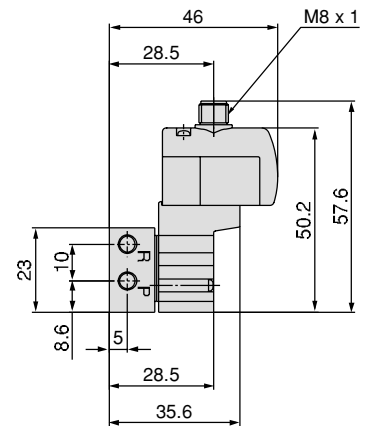
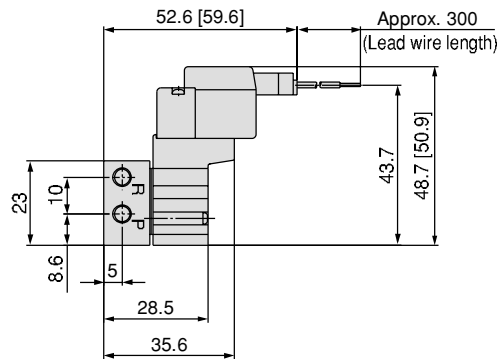
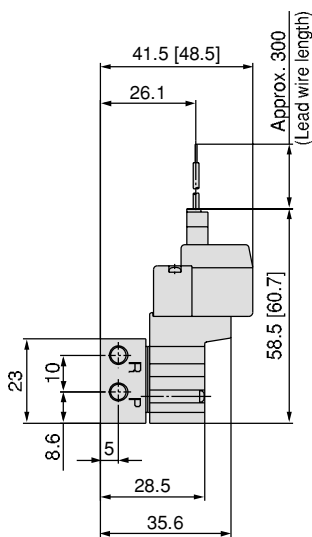
**Grommet (G), (H): SYJ3□4-□<sup>G</sup>□□-M5**



**L plug connector (L):  
SYJ3□4-□L□□-M5**

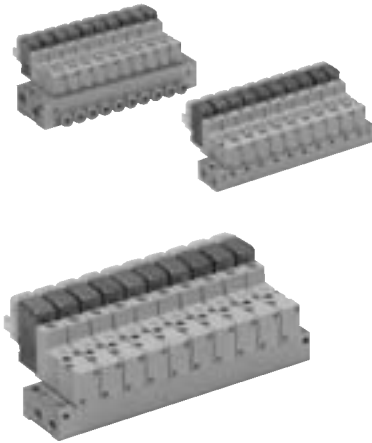
**M plug connector (M):  
SYJ3□4-□M□□-M5**

**M8 connector (WO):  
SYJ3□4-□WO□□-M5**



\* Refer to page 1429 for dimensions with connector cable.

# Series SYJ300 Manifold Specifications



## Manifold Specifications

Model	For internal pilot	Type 20	Type 41, S41	Type 42, S42
	For external pilot	Type 20R	—	Type 42R, S42R
<b>Manifold type</b>	Single base/B mount			
<b>P (SUP), R (EXH)</b>	Common SUP/Common EXH			
<b>Valve stations</b>	2 to 20 stations			
<b>A port Porting specifications</b>	<b>Location</b>	Valve	Base	
	<b>Direction</b>	Top	Side	
<b>Port size</b>	<b>P, R port</b>	M5 x 0.8	M5 x 0.8	1/8
		1/8		
	<b>A port</b>	M3 x 0.5	M3 x 0.5	M5 x 0.8 C4 (One-touch fitting ø4)
	<b>X port</b> <small>Note)</small>	M5 x 0.8	—	M5 x 0.8

Note) Only for external pilot

## Flow Characteristics

Manifold			Port size		Flow characteristics						Effective area (mm <sup>2</sup> )
					1→2 (P→A)			2→3 (A→R)			
1(P), 3(R) Port	2(A) Port		C [dm <sup>3</sup> /(s·bar)]	b	Cv	C [dm <sup>3</sup> /(s·bar)]	b	Cv			
Body ported for internal pilot	Type SS3YJ3-20	SYJ3□2	M5 x 0.8	M3 x 0.5	—	—	—	—	—	—	0.9
Base mounted for internal pilot	Type SS3YJ3-41 S41	SYJ3□4	M5 x 0.8	M3 x 0.5	—	—	—	—	—	—	1.5
	Type SS3YJ3-42-M5	SYJ3□4	1/8	M5 x 0.8	0.31	0.17	0.075	0.32	0.11	0.072	—
	Type SS3YJ3-42-C4			C4	0.33	0.36	0.086	0.33	0.2	0.082	—
	Type SS3YJ3-S42-M5	SYJ3□4	1/8	M5 x 0.8	0.32	0.3	0.079	0.33	0.35	0.086	—
Type SS3YJ3-S42-C4	C4			0.35	0.17	0.082	0.35	0.26	0.086	—	
Body ported for external pilot	Type SS3YJ3-20R	SYJ3□2R	1/8	M3 x 0.5	—	—	—	—	—	—	0.9
Base mounted for external pilot	Type SS3YJ3-42R-M5	SYJ3□4R	1/8	M5 x 0.8	0.31	0.17	0.075	0.32	0.11	0.072	—
	Type SS3YJ3-42R-C4			C4	0.33	0.36	0.086	0.33	0.20	0.082	—
	Type SS3YJ3-S42R-M5	SYJ3□4R	1/8	M5 x 0.8	0.32	0.30	0.079	0.33	0.35	0.086	—
	Type SS3YJ3-S42R-C4			C4	0.35	0.17	0.082	0.35	0.26	0.086	—

Note) Value at manifold base mounted, 2 position single acting

## How to Order Manifold (Example)

Instruct by specifying the valves and blanking plate assembly to be mounted on the manifold along with the manifold base model no.

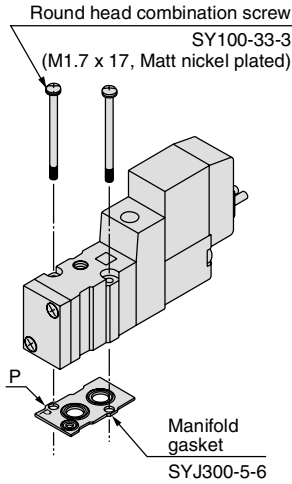
(Example)

SS3YJ3-20-03 ..... 1 set (manifold base)      SS3YJ3-42R-03-C4 .... 1 set (manifold base)  
 \*SYJ312-5LZ-M3 ..... 2 sets (valve)      SYJ314R-5G ..... 2 sets (valve)  
 \*SYJ300-10-1A ..... 1 set (blanking plate assembly)      SYJ300-10-2A ..... 1 set (blanking plate assembly)

↳ The asterisk denotes the symbol for assembly. Prefix it to the part nos. of the solenoid valve, etc.

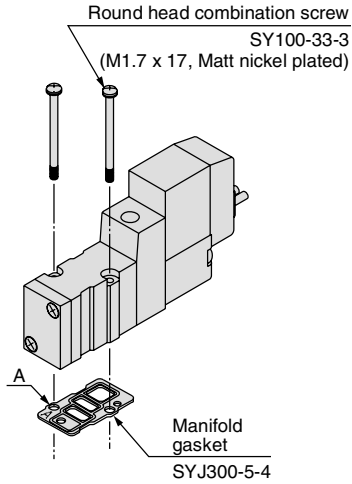
**Combinations of Solenoid Valve, Manifold Gasket and Manifold Base**

**Body ported  
(Type SYJ3□2(R)(-Q))**



**Applicable base**  
SS3YJ3-20(-Q) } Manifold  
SS3YJ3-20R(-Q) } base

**Base mounted  
(Type SYJ3□4(R)(-Q))**

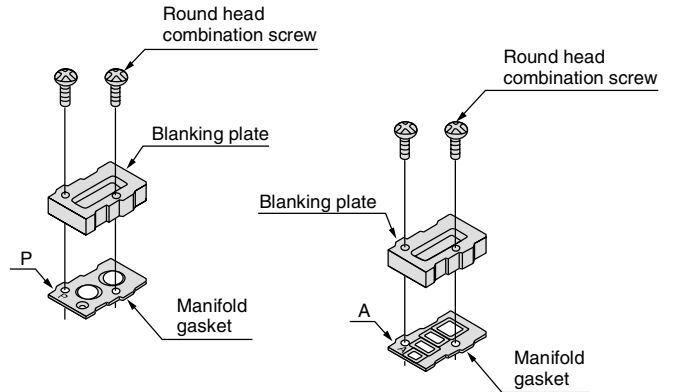


**Applicable base  
Sub-plate**  
SS3YJ3-41(-Q)  
SS3YJ3-S41(-Q)  
SS3YJ3-42(-Q)  
SS3YJ3-S42(-Q)  
SS3YJ3-42R(-Q)  
SS3YJ3-S42R(-Q) } Manifold  
base

**Blanking Plate Assembly**


Part no.: SYJ300-10-1A(-Q)

Part no.: SYJ300-10-2A(-Q)



**Applicable base**  
SS3YJ3-20(-Q) } Manifold  
SS3YJ3-20R(-Q) } base

**Applicable base  
Sub-plate**  
SS3YJ3-41(-Q)  
SS3YJ3-S41(-Q)  
SS3YJ3-42(-Q)  
SS3YJ3-S42(-Q)  
SS3YJ3-42R(-Q)  
SS3YJ3-S42R(-Q) } Manifold  
base

 Note) Add suffix "-Q" for the CE-compliant product.

**⚠ Caution**

**Mounting screw tightening torques**

**M1.7: 0.12 N·m**

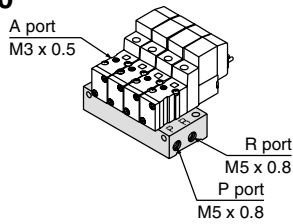
**Use caution to the assembly orientation for solenoid valves, gasket and optional parts.**



# Series SYJ300

## Manifold for Internal Pilot Type

### Type 20



#### How to Order

SS3YJ3 - 20 - 05 - [ ] - [ ]

Stations		Bracket		• CE-complaint	
02	2 stations	Nil	Without bracket	Nil	—
:	:	F	With bracket	Q	CE-complaint
20	20 stations				

Applicable solenoid valve  
 SYJ312-□□□□-M3(-Q)  
 SYJ312M-□□□□-M3(-Q)  
 SYJ322-□□□□-M3(-Q)  
 SYJ322M-□□□□-M3(-Q)

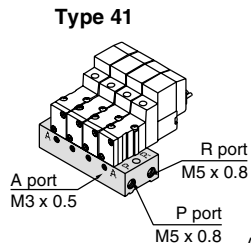
Applicable blanking plate assembly

Refer to page 1379.

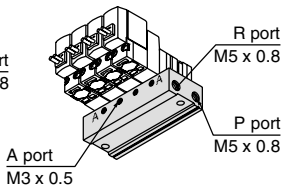


Note) For more than 10 stations, supply air to both sides of P port and exhaust air from both sides of R port.

### Type 41



Type S41  
 (Pilot valve is on the A port side.)



#### How to Order

SS3YJ3 - [ ] 41 - 05 - M3 - [ ]

Valve mounting direction		Stations		• CE-complaint	
Nil	Pilot valve is opposite the A port side.	02	2 stations	Nil	—
S	Pilot valve is on the A port side.	:	:	Q	CE-complaint
		20	20 stations		

Applicable solenoid valve  
 SYJ314-□□□□(-Q)  
 SYJ314M-□□□□(-Q)  
 SYJ324-□□□□(-Q)  
 SYJ324M-□□□□(-Q)

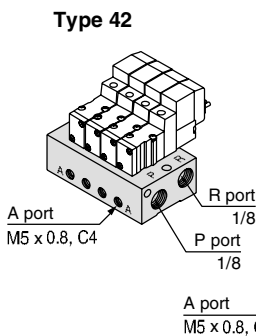
Applicable blanking plate assembly

Refer to page 1379.

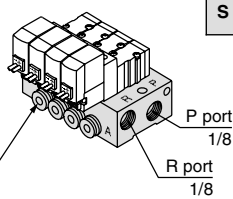


Note) For more than 10 stations, supply air to both sides of P port and exhaust air from both sides of R port.

### Type 42



Type S42  
 (Pilot valve is on the A port side.)



#### How to Order

SS3YJ3 - [ ] 42 - 05 - M5 [ ] - [ ]

Valve mounting direction		Stations		• P, R port thread type	
Nil	Pilot valve is opposite the A port side.	02	2 stations	Nil	Rc
S	Pilot valve is on the A port side.	:	:	F	G
		20	20 stations	N	NPT
				T	NPTF

A port size	
M5	M5 x 0.8
C4	ø4 one-touch fitting
N3	ø5/32" one-touch fitting

• CE-complaint	
Nil	—
Q	CE-complaint

Applicable solenoid valve  
 SYJ314-□□□□(-Q)  
 SYJ314M-□□□□(-Q)  
 SYJ324-□□□□(-Q)  
 SYJ324M-□□□□(-Q)

Applicable blanking plate assembly

Refer to page 1379.

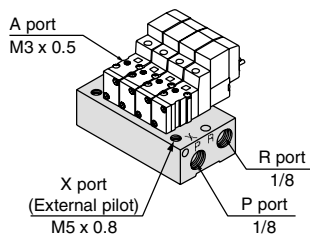


Note) For more than 8 stations, supply/exhaust air to/from both sides of P port and R port.

## Manifold for External Pilot Type

Pilot valve pressure is supplied separately from the main valve pressure through the use of a separate supply port. It can be used in the vacuum (up to -100 kPa) or low pressure line with 0.15 MPa or less.

### Type 20R



#### How to Order

SS3YJ3 - 20R - 05 - [ ] - [ ]

Stations		• P, R port thread type		• CE-complaint	
02	2 stations	Nil	Rc	Nil	—
:	:	00F	G	Q	CE-complaint
20	20 stations	00N	NPT		
		00T	NPTF		

Applicable solenoid valve  
 SYJ312R-□□□□-M3(-Q)  
 SYJ322R-□□□□-M3(-Q)

Applicable blanking plate assembly

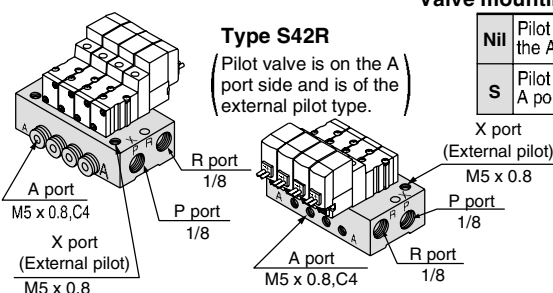
Refer to page 1379.



Note) For more than 10 stations, supply/exhaust air to/from both sides of P port and R port.

### Type 42R

Type 42R  
 (External pilot type)



Type S42R  
 (Pilot valve is on the A port side and is of the external pilot type.)

Valve mounting direction		Stations		• P, R port thread type	
Nil	Pilot valve is opposite the A port side.	02	2 stations	Nil	Rc
S	Pilot valve is on the A port side.	:	:	F	G
		20	20 stations	N	NPT
				T	NPTF

A port size	
M5	M5 x 0.8
C4	ø4 one-touch fitting
N3	ø5/32" one-touch fitting

• CE-complaint	
Nil	—
Q	CE-complaint

Applicable solenoid valve  
 SYJ314R-□□□□(-Q)  
 SYJ324R-□□□□(-Q)

Applicable blanking plate assembly

Refer to page 1379.

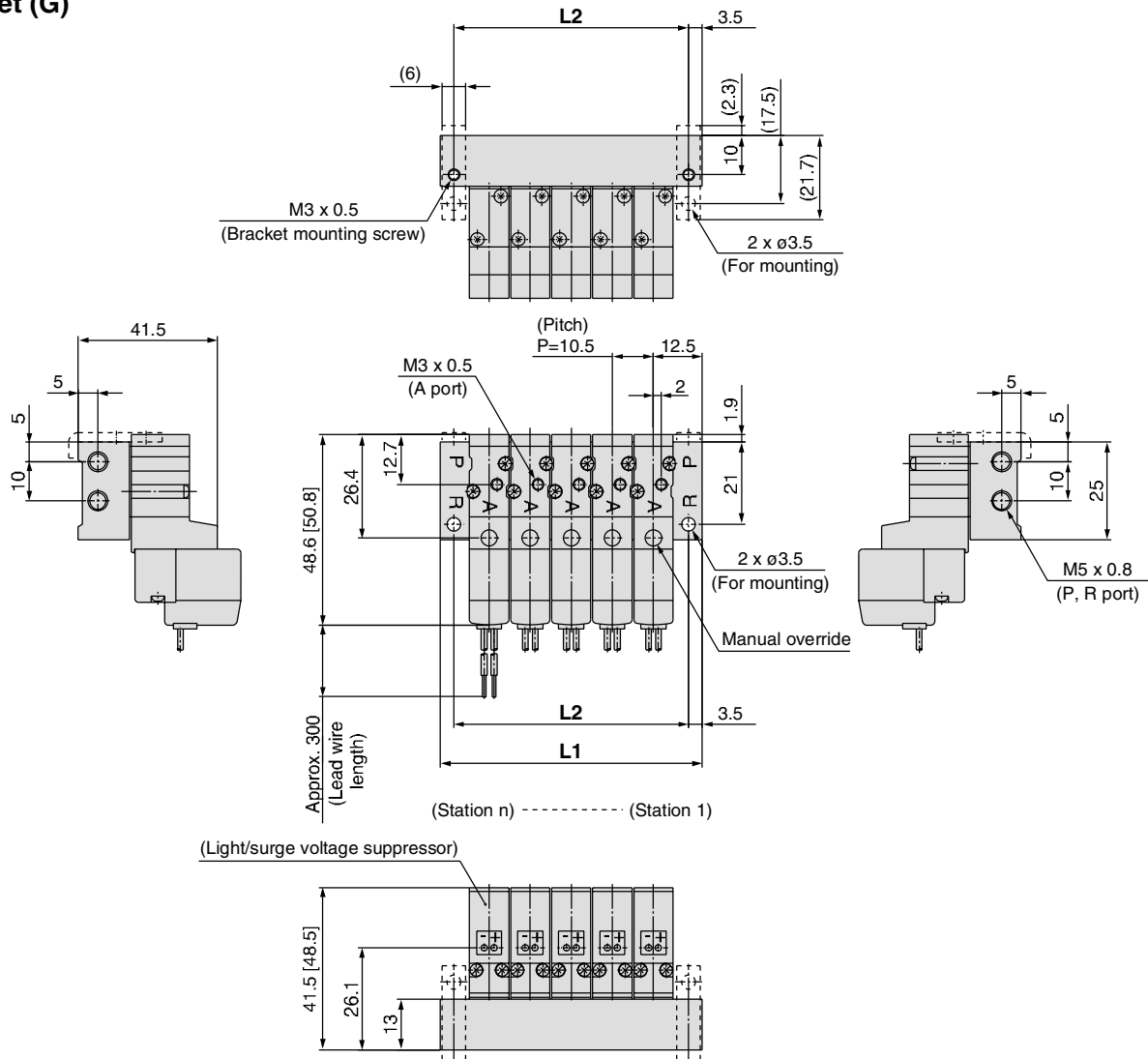


Note) For more than 8 stations, supply/exhaust air to/from both sides of P port and R port.

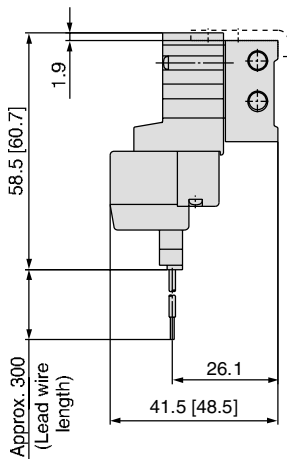
**Type 20 Manifold: Top Ported/SS3YJ3-20- Stations -00□ (-F)**

\* [ ] for AC

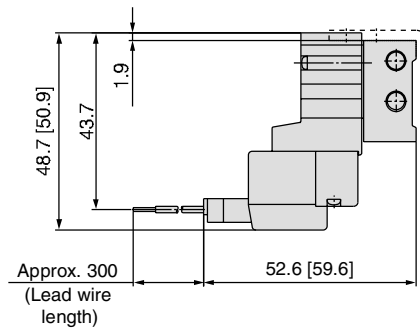
**Grommet (G)**



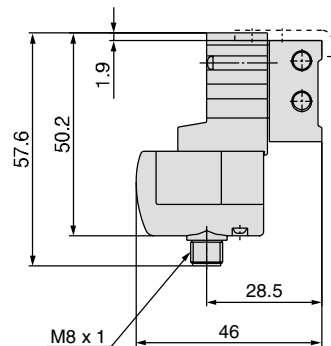
**L plug connector (L)**



**M plug connector (M)**



**M8 connector (WO)**

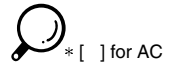


\* Refer to page 1429 for dimensions with connector cable.

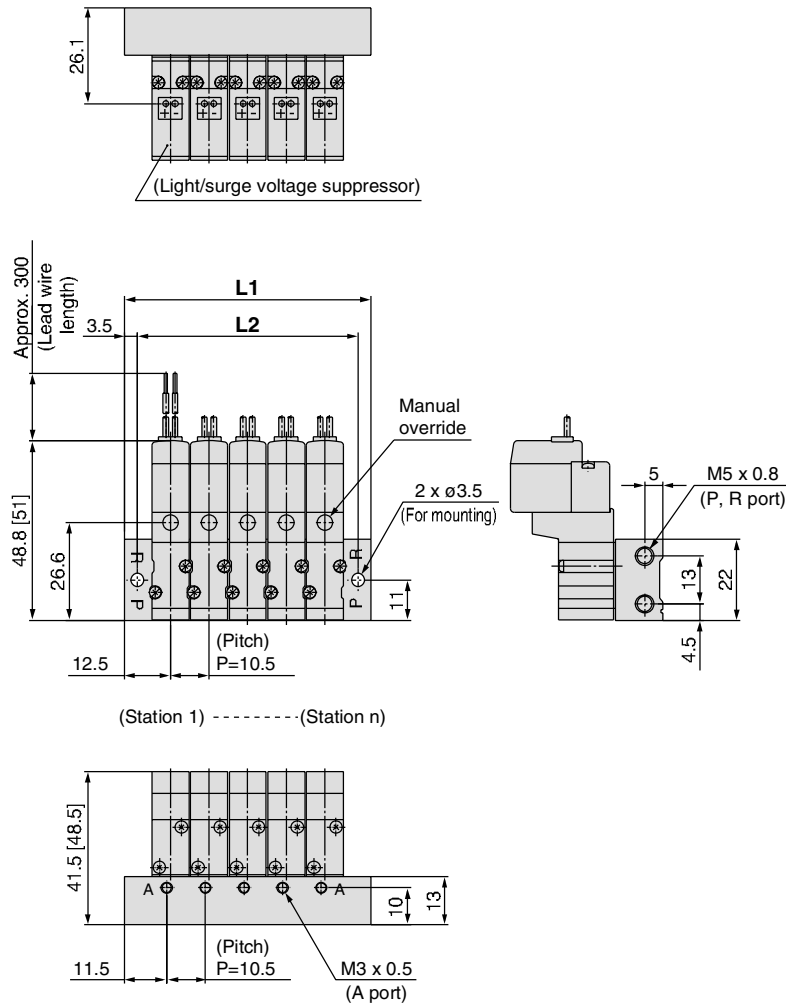
Station n	2	3	4	5	6	7	8	9	10	11	12	13	14	15	16	17	18	19	20
L1	35.5	46	56.5	67	77.5	88	98.5	109	119.5	130	140.5	151	161.5	172	182.5	193	203.5	214	224.5
L2	28.5	39	49.5	60	70.5	81	91.5	102	112.5	123	133.5	144	154.5	165	175.5	186	196.5	207	217.5

# Series SYJ300

## Type 41 Manifold: Side Ported/SS3YJ3-41-Stations-M3



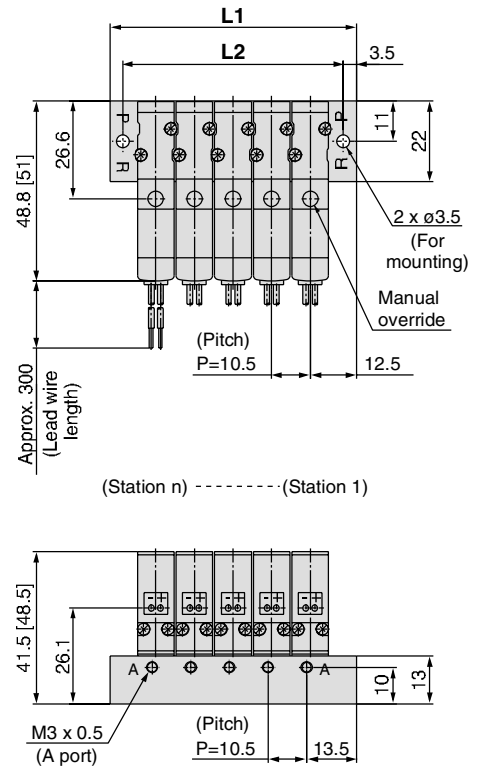
### Grommet (G)



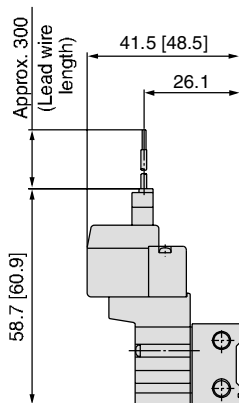
## Type S41 Manifold: Side Ported

(Pilot valve is on the A port side) /

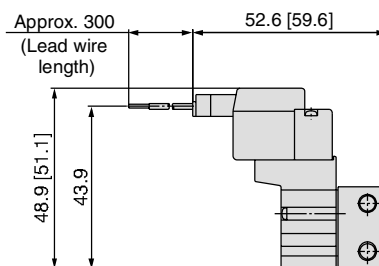
## SS3YJ3-S41-Stations-M3



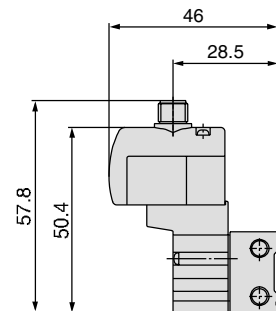
### L plug connector (L)



### M plug connector (M)



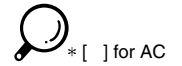
### M8 connector (WO)



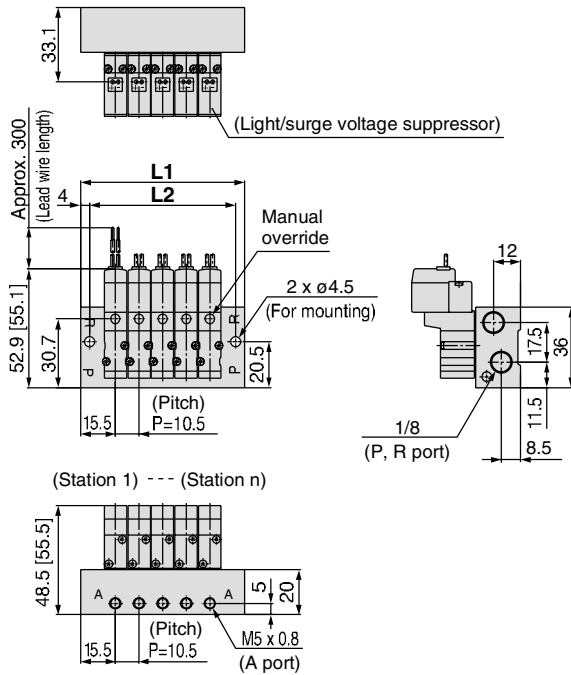
\* Refer to page 1429 for dimensions with connector cable.

Station n	Station 2	3	4	5	6	7	8	9	10	11	12	13	14	15	16	17	18	19	Station 20
L1	35.5	46	56.5	67	77.5	88	98.5	109	119.5	130	140.5	151	161.5	172	182.5	193	203.5	214	224.5
L2	28.5	39	49.5	60	70.5	81	91.5	102	112.5	123	133.5	144	154.5	165	175.5	186	196.5	207	217.5

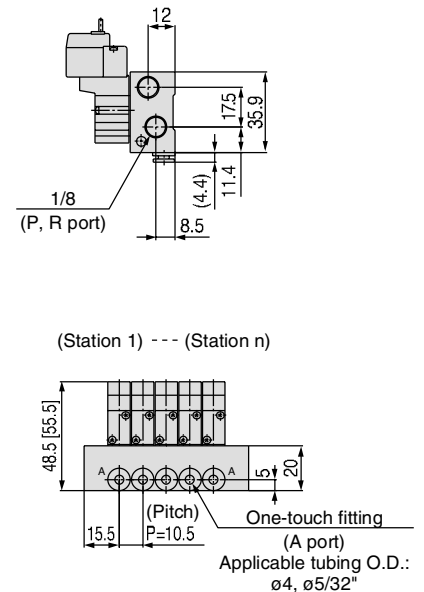
**Type 42 Manifold: Side Ported/SS3YJ3-42- Stations -M5, C4 N3**



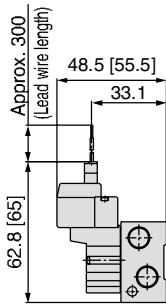
**Grommet (G)  
For M5**



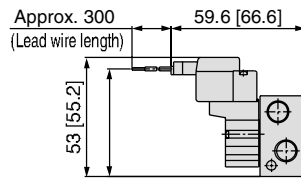
**For C4 N3 (Built-in one-touch fitting)**



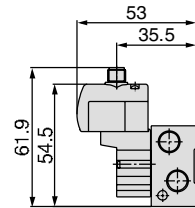
**L plug connector (L)**



**M plug connector (M)**



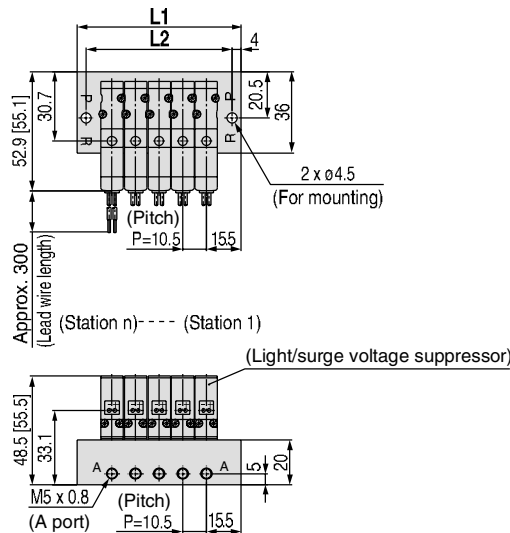
**M8 connector (WO)**



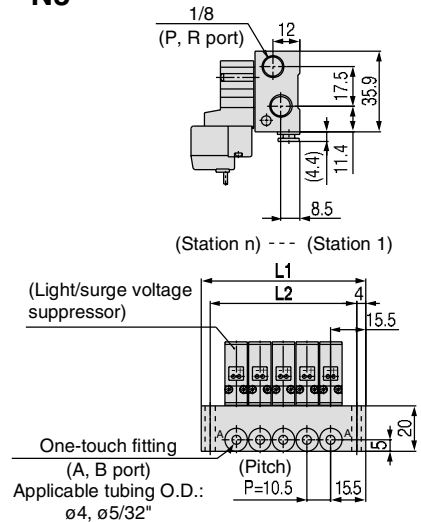
\* Refer to page 1429 for dimensions with connector cable.

**Type S42 Manifold: Side Ported (Pilot valve is on the A port side) / SS3YJ3-S42- Stations -M5, C4 N3**

**Grommet (G)  
For M5**



**For C4 N3 (Built-in one-touch fitting)**

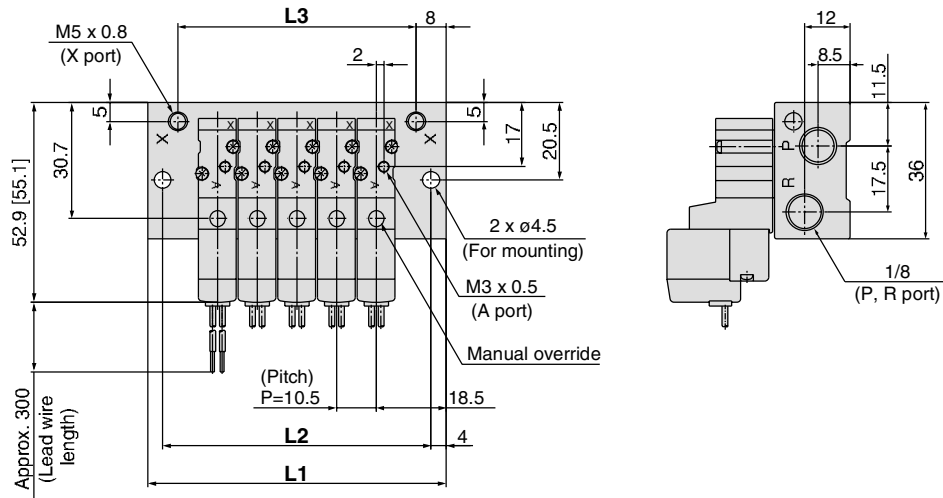


Station n	Station 2	3	4	5	6	7	8	9	10	11	12	13	14	15	16	17	18	19	Station 20
L1	41.5	52	62.5	73	83.5	94	104.5	115	125.5	136	146.5	157	167.5	178	188.5	199	209.5	220	230.5
L2	33.5	44	54.5	65	75.5	86	96.5	107	117.5	128	138.5	149	159.5	170	180.5	191	201.5	212	222.5

# Series SYJ300

Type 20R Manifold: Top Ported (External Pilot Type)/SS3YJ3-20R- Stations -00 [ ] for AC

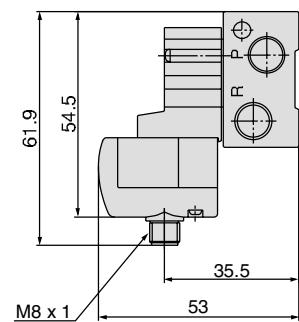
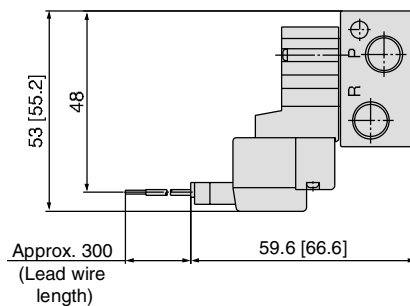
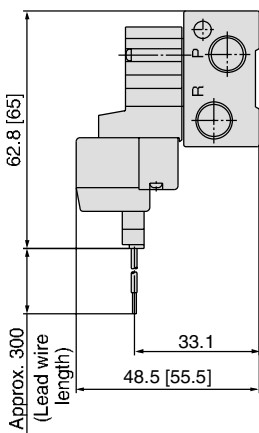
## Grommet (G)



## L plug connector (L)

## M plug connector (M)

## M8 connector (WO)

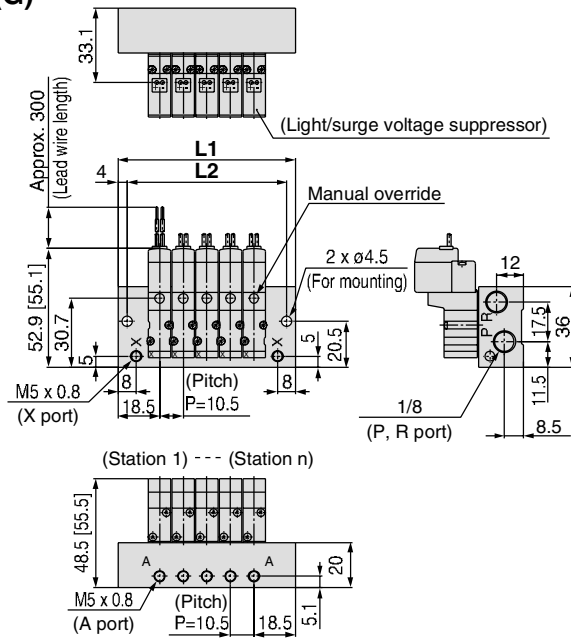


\* Refer to page 1429 for dimensions with connector cable.

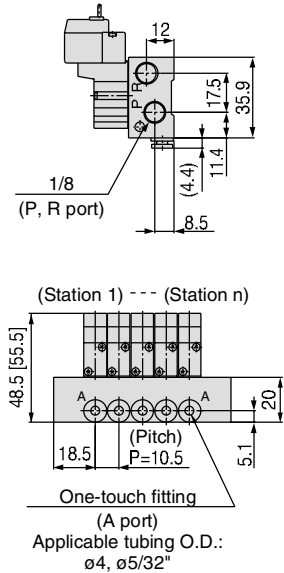
Station n	Station 2	3	4	5	5	7	8	9	10	11	12	13	14	15	16	17	18	19	Station 20
L1	47.5	58	68.5	79	89.5	100	110.5	121	131.5	142	152.5	163	173.5	184	194.5	205	215.5	226	236.5
L2	39.5	50	60.5	71	81.5	92	102.5	113	123.5	134	144.5	155	165.5	176	186.5	197	207.5	218	228.5
L3	31.5	42	52.5	63	73.5	84	94.5	105	115.5	126	136.5	147	157.5	168	178.5	189	199.5	210	220.5

Type 42R Manifold: Side Ported (External Pilot Type)/SS3YJ3-42R- **Stations** -M5, **C4**  **N3**  \* [ ] for AC

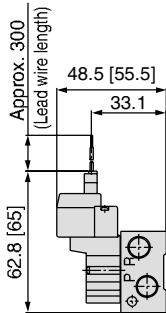
**Grommet (G)**  
For M5



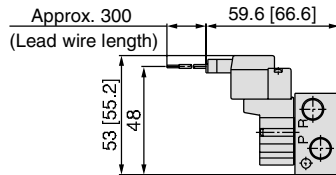
For **C4**  **N3**  (Built-in one-touch fitting)



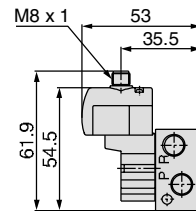
**L plug connector (L)**



**M plug connector (M)**



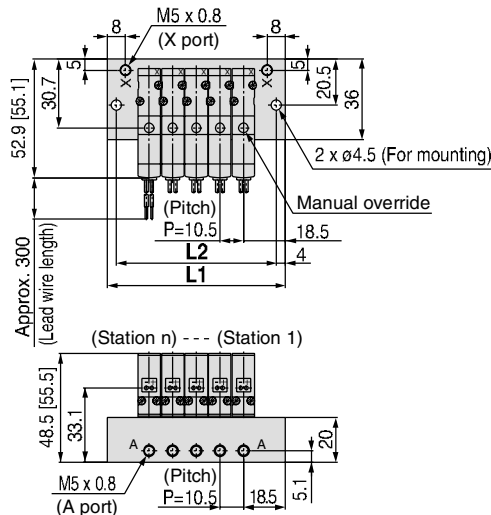
**M8 connector (WO)**



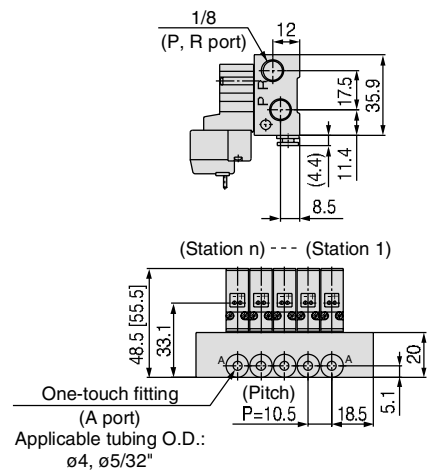
\* Refer to page 1429 for dimensions with connector cable.

Type S42R Manifold: Side Ported (Pilot valve is on the A port side) / SS3YJ3-S42R- **Stations** -M5, **C4**  **N3**

**Grommet (G)**  
For M5



For **C4**  **N3**  (Built-in one-touch fitting)



Station n	Station 2	3	4	5	6	7	8	9	10	11	12	13	14	15	16	17	18	19	Station 20
<b>L1</b>	47.5	58	68.5	79	89.5	100	110.5	121	131.5	142	152.5	163	173.5	184	194.5	205	215.5	226	236.5
<b>L2</b>	39.5	50	60.5	71	81.5	92	102.5	113	123.5	134	144.5	155	165.5	176	186.5	197	207.5	218	228.5