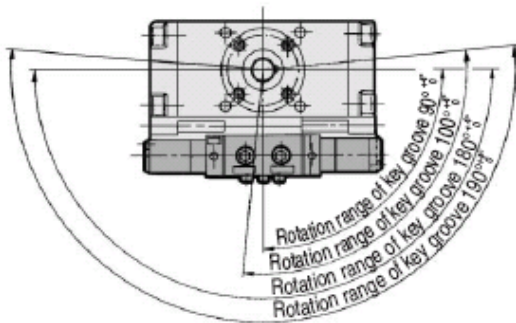


Specifications

Fluid	Air		
Proof pressure	1.35 MPa		
Max. operating pressure	0.9 MPa		
Min. operating pressure	0.15 MPa		
Ambient and fluid temperature	0°C to 50°C (No freezing)		
Lubrication	Non-lube		
Mounting	Basic style, Foot style		
Solenoid valve part no.	VF3□ 20-□□□□-02-X14		
Electrical entry	Grommet, Grommet terminal, Conduit terminal, DIN terminal, L plug connector, M plug connector		
Coil rated voltage	AC	100, 200 V (50/60 Hz)	
	DC	24 V	
Allowable voltage change	-15 to +10% of the rated voltage		
Coil insulation	Equivalent to B class (130°C)		
Power consumption	AC	Inrush	5.6 VA (50 Hz), 5.0 VA (60 Hz)
		Holding	3.4 VA (50 Hz), 2.3 VA (60 Hz)
Apparent current	DC	1.8 W	

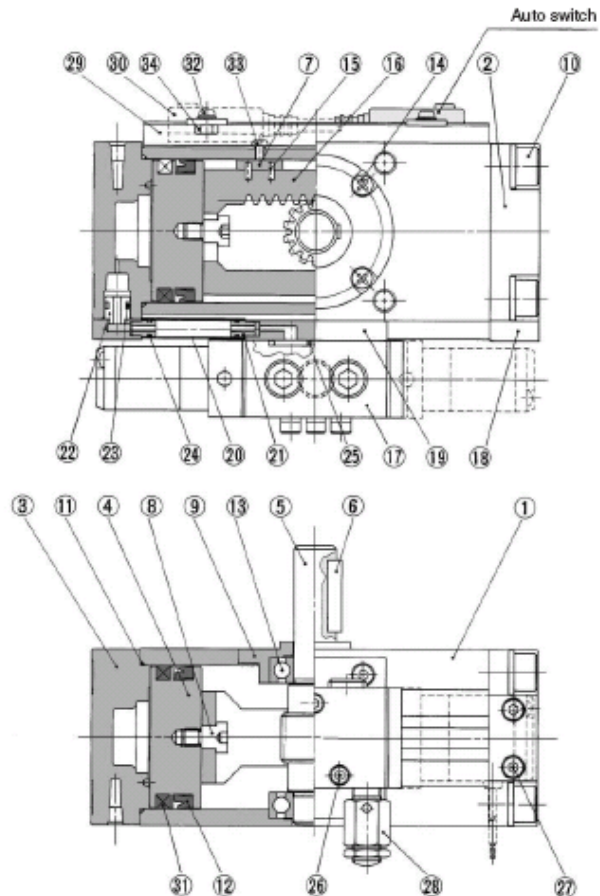
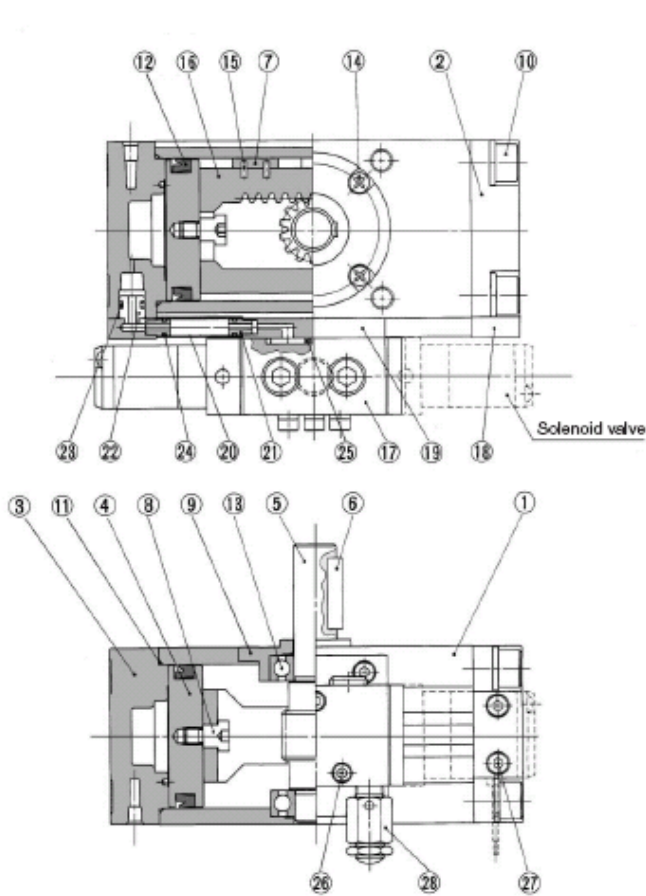
Rotation Range of Keygrooves Solenoid Valve Mounting Positions



Light/Surge Voltage Suppressor

Rated voltage	Less than 100 V	AC	
		DC	
	100 V or more	AC	
		DC	

Note) Light is not available on grommet type.



Component Parts

No.	Description	Material	Note
①	Body	Aluminum alloy	Hard anodized
②	Right cover	Aluminum alloy	Black anodized
③	Left cover	Aluminum alloy	Black anodized
④	Piston	Aluminum alloy	Chromated
⑤	Shaft	Chrome molybdenum steel	
⑥	Parallel keyway	Carbon steel	
⑦	Slider	Resin	
⑧	Connecting screw	Carbon steel	Zinc chromated
⑨	Bearing retainer	Aluminum alloy	Black anodized
⑩	Hexagon socket head cap screw with spring washer	Chromium molybdenum steel	Black zinc chromated
⑪	Tube gasket	NBR	
⑫	Piston seal	NBR	
⑬	Bearing	Bearing steel	
⑭	Round head Phillips screw	Steel wire	Black zinc chromated
⑮	Spring pin	Steel wire	
⑯	Rack	Carbon steel	Nitrided
⑰	Solenoid valve		

No.	Description	Material	Note
⑱	Sub-plate	Aluminum alloy	Black anodized
⑲	Sub-plate	Aluminum alloy	Black anodized
⑳	Pipe	Stainless steel	
㉑	Fitting	Aluminum alloy	Chromated
㉒	Fitting	Aluminum alloy	Chromated
㉓	O-ring	NBR	
㉔	O-ring	NBR	
㉕	O-ring	NBR	
㉖	Hexagon socket head cap screw	Steel wire	Black dyed
㉗	Hexagon socket head cap screw	Steel wire	Black dyed
㉘	Metal valve	Stainless steel	
㉙	Switch mounting rail	Aluminum alloy	
㉚	Auto switch		
㉛	Plastic magnet	Magnetic material	
㉜	Round head Phillips screw	Steel wire	Nickel plated
㉝	Round head Phillips screw	Steel wire	Nickel plated
㉞	Hexagon nut	Steel wire	Nickel plated

Replacement Parts (The corresponding parts shown below are sets.)

Size (Type)	With solenoid valve, With solenoid valve auto switch
□VRA1□□50	P294020-49A
□VRA1□□63	P294030-49A
□VRA1□□80	P294040-49
□VRA1□□100	P294050-49A
Corresponding parts no.	⑦, ⑪, ⑫, ⑮, ㉓, ㉔, ㉕ are set