

## Individual lubrication Large flow type



JIS Symbol



## Standard Specifications

Model	AL800	AL900
Port size	1 1/4 1 1/2	2
Fluid	Air	
Proof pressure	1.5 MPa	
Max. operating pressure	1.0 MPa	
Min. operating flow (#/min (ANR)) <sup>(Note)</sup>	1 1/4 : 460 1 1/2 : 650	1800
Bowl capacity (cm <sup>3</sup> )	440	
Recommended lubricant	Turbine oil Class 1 (With no additives), ISO VG32	
Ambient and fluid temperature	-5 to 60°C (No freezing)	
Bowl material	Polycarbonate	
Weight (kg)	1.62	1.67
Accessory (Standard)	Bowl guard	●

Note) • Conditions: Inlet pressure = 0.5 MPa, Number of drop = 5 drops/min, Turbine oil Class 1 (with no additives) ISO VG32, Temperature = 20°C, Needle fully open  
• Use consumption air flow for operating minimum flow.

## Option Combinations

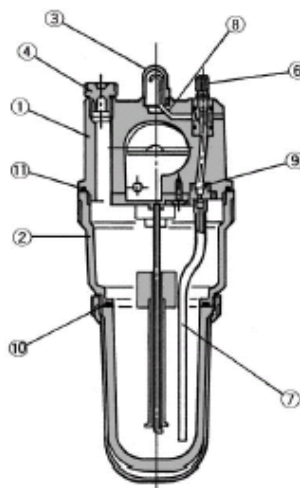
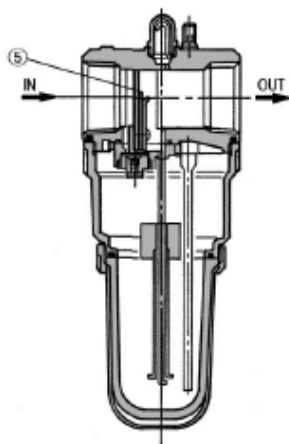
⊙ Available □ Not available

Accessory, Option	Symbol	Option							
		1	1S-1	1S-2	2	3	6	8	R
1000 cm <sup>3</sup> tank	-1								⊙
1000 cm <sup>3</sup> (With switch) Bottom limit ON	-1S-1								⊙
1000 cm <sup>3</sup> (With switch) Bottom limit OFF	-1S-2								⊙
Metal bowl	-2					⊙			⊙
Lubricator with drain cock	-3				⊙		⊙	⊙	⊙
Nylon bowl	-6					⊙			⊙
Metal bowl with level gauge	-8					⊙			⊙
Flow direction: Right → Left	-R	⊙	⊙	⊙	⊙	⊙	⊙	⊙	⊙

Note) -1, -1S-1 and -1S-2 are with metal bowl with level gauge and with drain cock.

JIS Symbol

AL800/900



## Component Parts

No.	Description	Material		Note
		AL800	AL900	
①	Body	Aluminum die-casted	Aluminum casted	Platinum silver painted
②	Housing	Aluminum die-casted		Platinum silver painted

## Replacement Parts

No.	Description	Material	Part no.	
			AL800	AL900
③	Sight dome	Polycarbonate	12316	12316
④	Lubrication plug assembly	—	12314PA	12314PA
⑤	Damper assembly	—	123413A-1 (1 1/4) 123413A-2 (1 1/2)	123528A
⑥	Needle stud assembly	—	123128PA	123128PA
⑦	Siphon tube assembly	—	123321A	123321A
⑧	Sight dome seal	Urethane resin	12318	12318
⑨	Siphon nut seal	Urethane resin	123111	123111
⑩	Bowl O-ring	NBR	113136	113136
⑪	Housing O-ring	NBR	JIS B 2401G90	JIS B 2401G90