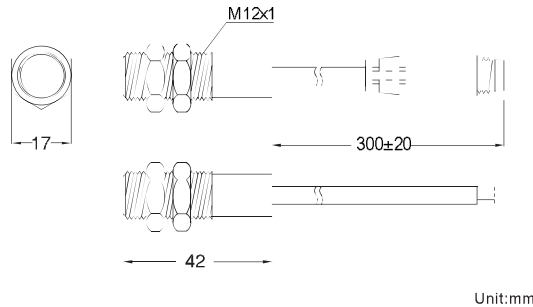
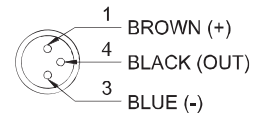


■ DIMENSION



■ QD PINOUT



■ SPECIFICATION

TYPE	G -22
CONNECT DIAGRAM	
CHARACTERISTICS	
WIRING METHOD	3-Wire Type
SWITCHING LOGIC	Solid State Output, Normally Open
SENSOR TYPE	NPN Current Sinking
OPERATING VOLTAGE	3.5~24 V DC
SWITCHING CURRENT	25 mA. max.
CONTACT RATING	0.6W max.
CURRENT CONSUMPTION	7 mA @ 24V DC max.
VOLTAGE DROP	0.6V max.@ 25mA
LEAKAGE CURRENT	0.01 mA max.
INDICATOR	--
CABLE	ø4.5, 3C, PVC
RESPONSE FREQUENCY	50K Hz
RESPONSE DISTANCE	2 mm max.
TEMPERATURE RANGE	-10~70°C
SHOCK (NOTE 1)	50 G
VIBRATION (NOTE 2)	9 G
ENCLOSURE CLASSIFICATION	IEC 529 IP 67
PROTECTION CIRCUIT (NOTE 3)	2

NOTE:
 1. Sin wave / X , Y , Z 3 directions / 3 times each direction / 11 ms each time.
 2. Double amplitude 1.5 mm / 10Hz~55Hz~10Hz (Sweep 1 min) / X , Y , Z 3 directions / 1 hour each time.
 3. 1=None / 2=Short-circuit / 3=Power Source Reverse polarity / 4=Surge Suppression

■ APPLICATION

