

Type **20SA**

# EX510 Gateway System Serial Transmission System Body Ported Manifold/Integrated Base Series **SY3000/5000/7000**



## How to Order Manifold

**SS5Y 3** - 20SA - **04** - -

Manifold series

3	SY3000
5	SY5000
7	SY7000

SI unit

Nil	NPN output (+COM.)
N	PNP output (-COM.)

SI unit part no.

Symbol	SI unit specifications	SI unit part no.	Page
Nil	NPN output (+COM.)	EX510-S001	P.1715 to 1717
N	PNP output (-COM.)	EX510-S101	

For details of "Gateway System Serial Transmission System, Series EX510", refer to pages 1696 through to 1724.

CE-compliant

Nil	—
Q	CE-compliant

P, R port thread type

Nil	Rc
00F	G
00N	NPT
00T	NPTF

Valve stations

Symbol	Stations	Note
03	3 stations	Double wiring <sup>Note 1)</sup>
:	:	
08	8 stations	Specified layout <sup>Note 2)</sup> (Compatible with 16 solenoid valves)
03	3 stations	
:	:	
16	16 stations	

• SS5Y3 can be set from 4 stations.

• The number of the blanking plate assembly is also included.

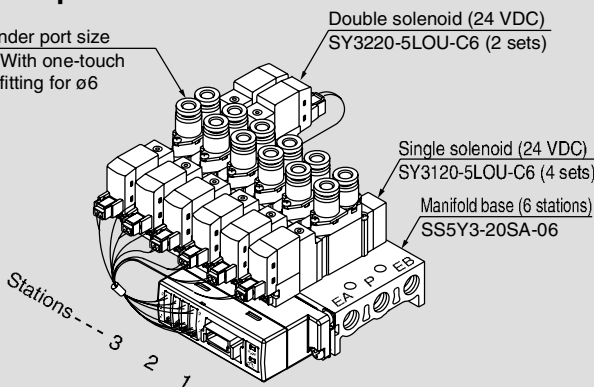
Note 1) Double wiring: Use of a single solenoid will result in an unused control signal. If this is not desired, order with a specified layout.

Note 2) Specified layout: Indicate wiring specifications on the manifold specification sheet. (Note that double and 3 position valves cannot be used where single solenoid wiring has been specified.)

## How to Order Manifold Assembly (Example)

### Example

Cylinder port size  
C6: With one-touch  
fitting for ø6



**SS5Y3-20SA-06** .....1 set (20SA type 6-station manifold part no.)  
 \* **SY3120-5LOU-C6**...4 sets (Single solenoid part no.)  
 \* **SY3220-5LOU-C6**...2 sets (Double solenoid part no.)

↳ The asterisk denotes the symbol for assembly. Prefix to the part no. of the solenoid valve, etc.

Add the valve and option part number under the manifold base part number. When entry of part numbers becomes complicated, indicate by the manifold specification sheet. For a manifold for an EX510, the length of the lead wire for a connector assembly depends on the number of stations. Therefore, the manifold assembly is shipped with the valves (including blanking plates) and connector assembly mounted on it, as the standard specification. Be sure to specify the part nos. of the solenoid valves to be mounted.

Gentle Automatic Solution Sdn Bhd

Tel :603-80237743 Fax :603-80239743 Email :sales@gentle.com.my http://www.gentle.com.my

**How to Order Valves**

**SY 3 1 20 - 5 LO Z [ ] - M5 [ ] - [ ]**

**Series**

<b>3</b>	SY3000
<b>5</b>	SY5000
<b>7</b>	SY7000

**Type of actuation**

<b>1</b>	2 position single
<b>2</b>	2 position double
<b>3</b>	3 position closed center
<b>4</b>	3 position exhaust center
<b>5</b>	3 position pressure center

**Rated voltage: 24 VDC**

**Light/surge voltage suppressor**

<b>Z</b>	With light/surge voltage suppressor
<b>U</b>	Without light/surge voltage suppressor (non-polar type)

**Manual override**

<b>Nil</b>	Non-locking push type
<b>D</b>	Push-turn locking slotted type
<b>E</b>	Push-turn locking lever type

**CE-compliant**

<b>Nil</b>	—
<b>Q</b>	CE-compliant

**Thread type**

<b>Nil</b>	Rc
<b>F</b>	G
<b>N</b>	NPT
<b>T</b>	NPTF

**A, B port size**

**Thread piping**

<b>M5</b>	M5 x 0.8	SY3000
<b>01</b>	1/8	SY5000
<b>02</b>	1/4	SY7000

**One-touch fitting (Metric size)**

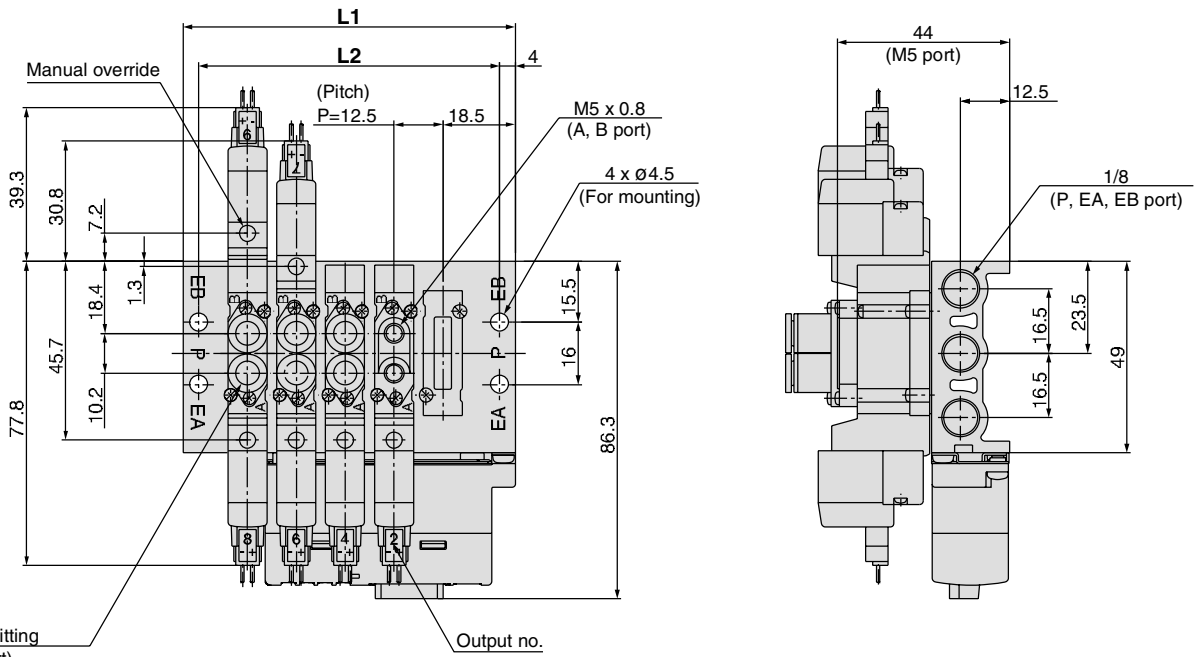
<b>C4</b>	One-touch fitting for ø4	SY3000
<b>C6</b>	One-touch fitting for ø6	
<b>C4</b>	One-touch fitting for ø4	SY5000
<b>C6</b>	One-touch fitting for ø6	
<b>C8</b>	One-touch fitting for ø8	SY7000
<b>C8</b>	One-touch fitting for ø8	
<b>C10</b>	One-touch fitting for ø10	

**One-touch fitting (Inch size)**

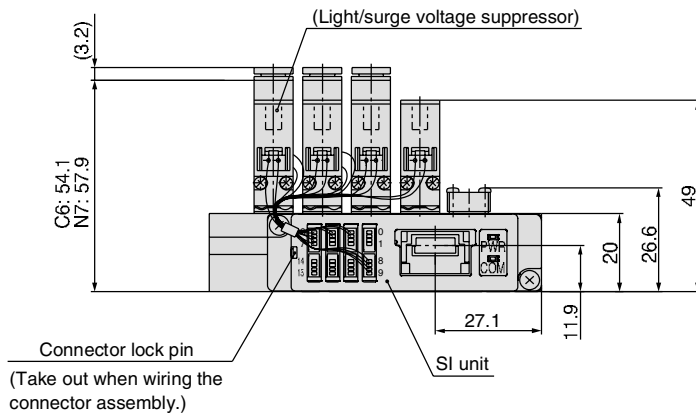
<b>N3</b>	One-touch fitting for ø5/32"	SY3000
<b>N7</b>	One-touch fitting for ø1/4"	
<b>N3</b>	One-touch fitting for ø5/32"	SY5000
<b>N7</b>	One-touch fitting for ø1/4"	
<b>N9</b>	One-touch fitting for ø5/16"	SY7000
<b>N9</b>	One-touch fitting for ø5/16"	
<b>N11</b>	One-touch fitting for ø3/8"	

# Type **20SA** Series **SY3000/5000/7000**

**SY3000: SS5Y3-20SA**  - Stations -



(Station n) ----- (Station 1)

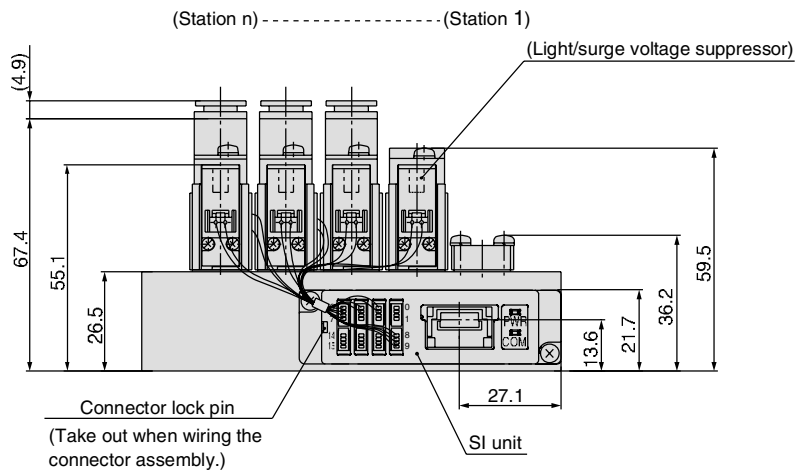
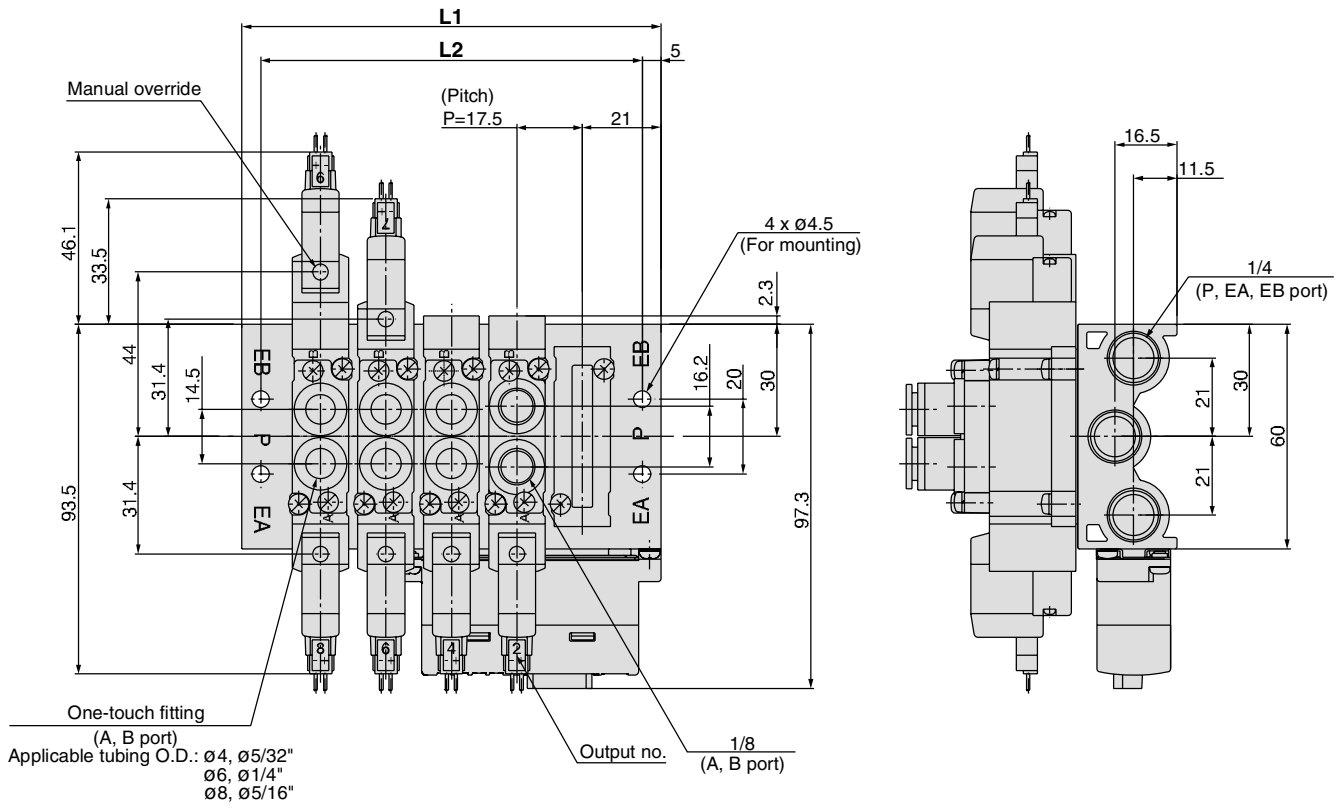


Stations n	4 stations	5	6	7	8	9	10	11	12	13	14	15	16 stations
<b>L1</b>	72.5	85	97.5	110	122.5	135	147.5	160	172.5	185	197.5	210	222.5
<b>L2</b>	64.5	77	89.5	102	114.5	127	139.5	152	164.5	177	189.5	202	214.5

Gentle Automatic Solution Sdn Bhd

Tel :603-80237743 Fax :603-80239743 Email :sales@gentle.com.my <http://www.gentle.com.my>

**SY5000: SS5Y5-20SA**  - Stations -



Stations n	3 stations	4	5	6	7	8	9	10	11	12	13	14	15	16 stations
<b>L1</b>	77	94.5	112	129.5	147	164.5	182	199.5	217	234.5	252	269.5	287	304.5
<b>L2</b>	67	84.5	102	119.5	137	154.5	172	189.5	207	224.5	242	259.5	277	294.5

