

Wide Range Detection Type Solid State Auto Switch: Band Mounting Style D-G5NBL



Grommet

- Wide range detection type
- Easy intermediate detection



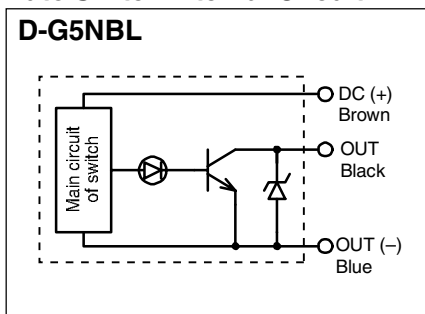
Caution

Precautions

The operating range is common for all cylinder series, but it may vary depending on bore sizes.

Auto Switch Internal Circuit

D-G5NBL



Auto Switch Specifications

PLC: Programmable Logic Controller

D-G5NBL (With indicator light)	
Auto switch model	D-G5NBL
Wiring type	3-wire
Output type	NPN
Applicable load	Relay, PLC
Power supply voltage	12, 24 VDC (10 to 28 VDC)
Current consumption	12 mA or less
Load voltage	10 to 28 VDC or less
Load current	40 mA or less
Internal voltage drop	0.4 V or less
Leakage current	100 μ A at 24 VDC
Indicator light	Red LED illuminates when turned ON.
Standard	CE marking

- Lead wires — Oilproof heavy-duty vinyl cord, $\phi 4$, 0.3 mm², 3 cores (Brown, Black, Blue), 3 m
- Note 1) Refer to page 1272 for solid state auto switch common specifications.
- Note 2) Refer to page 1272 for lead wire lengths.

Mass

(g)

Auto switch model		D-G5NB
Lead wire length (m)	0.5	—
	3	79
	5	125

Applicable Cylinders

Cylinder series	Bore size (mm)
CDM2, CDBM2, CDVM3, CDVM5, CDLM2, CDLG1, MLGC	20, 25, 32, 40
CDG1	20, 25, 32, 40, 50, 63, 80, 100
CDA2, CDBA2, CDV3, CDVS1, CDL1	40, 50, 63, 80, 100
MGC, MGG	20, 25, 32, 40, 50

Operating Range

Cylinder series	Bore size (mm)							
	20	25	32	40	50	63	80	100
Mountable models	35	40	40	45	45	45	45	50

Note) The operating range above indicates average values at room temperature including hysteresis (assuming approximately $\pm 30\%$ dispersion).

* Refer to page 405 for CDA2 and CDBA2.

Dimensions

(mm)

D-G5NB

