

Solid State Auto Switch Tie-rod Mounting Style D-G39C/D-K39C



Terminal conduit



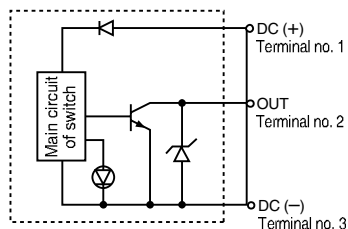
Caution

Precautions

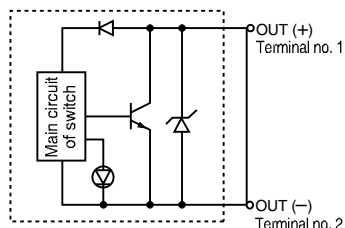
1. Use cable whose O.D. is within the size in the figure to maintain water resistant performance.
2. After wiring, confirm that tightening gland and all screws are tightened.

Auto Switch Internal Circuit

D-G39C



D-K39C



Auto Switch Specifications

PLC: Programmable Logic Controller

| D-G39C, D-K39C (With indicator light) | | |
|---------------------------------------|--|--------------------------|
| Auto switch model | D-G39C | D-K39C |
| Wiring type | 3-wire | 2-wire |
| Output type | NPN | — |
| Applicable load | IC circuit, Relay, PLC | 24 VDC Relay, PLC |
| Power voltage | 5, 12, 24 VDC (4.5 to 28 VDC) | — |
| Current consumption | 10 mA or less | — |
| Load voltage | 28 VDC or less | 24 VDC (10 to 28 VDC) |
| Load current | 40 mA or less | 5 to 40 mA |
| Internal voltage drop | 1.5 V or less (0.8 V or less at 10 mA of load current) | 4 V or less |
| Current leakage | 100 μ A or less at 24 VDC | 0.8 mA or less at 24 VDC |
| Indicator light | Red LED illuminates when turned ON. | |
| Standard | CE marking | |

Note) Refer to page 1272 for solid state auto switch common specifications.

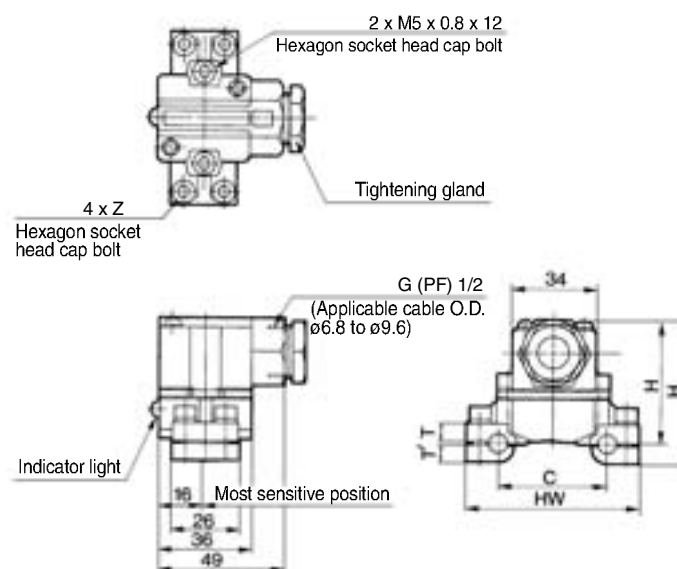
Mass

(g)

| Auto switch model | D-G39C | D-K39C |
|------------------------------|--------|--------|
| Applicable bore size (mm) | 40 | 162 |
| | 50 | 166 |
| | 63 | 184 |
| | 80 | 210 |
| | 100 | 232 |

Dimensions

(mm)



Dimensions

| Auto switch model | Applicable bore size (mm) | C | HW | H | H' | T | T' | Z |
|----------------------|---------------------------|----|-----|------|------|------|-----|---------------|
| D-G39C-4, D-K39C-4 | 40 | 44 | 69 | 57 | 49.5 | 7.5 | 6.5 | M5 x 0.8 x 16 |
| D-G39C-5, D-K39C-5 | 50 | 52 | 77 | 58 | 50.5 | 8.5 | 6.5 | |
| D-G39C-6, D-K39C-6 | 63 | 64 | 91 | 60.5 | 52 | 10.5 | 7.5 | |
| D-G39C-8, D-K39C-8 | 80 | 78 | 107 | 64 | 53.5 | 12.5 | 9.5 | M5 x 0.8 x 25 |
| D-G39C-10, D-K39C-10 | 100 | 92 | 121 | 67 | 56.5 | 15.5 | 9.5 | |