

# 2-Color Indication Type with Diagnostic Output Solid State Auto Switch: Rail Mounting Style D-F79F

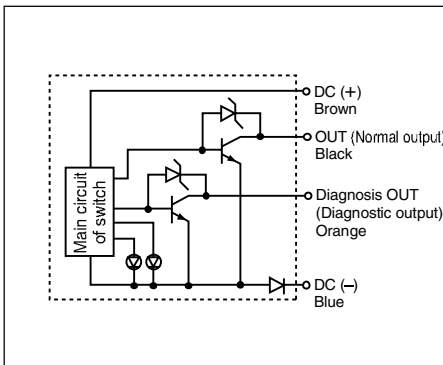


## Grommet

Since the diagnostic output signal can be detected in an unsteady detecting area, the difference of detecting position can be confirmed by the side of PLC (Programmable Logic Controller).



## Auto Switch Internal Circuit



## Auto Switch Specifications

PLC: Programmable Logic Controller

D-F79F (With indicator light)	
Auto switch model	<b>D-F79F</b>
Wiring type	4-wire
Output type	NPN
Diagnostic output	Normal operation
Applicable load	IC circuit, Relay, PLC
Power supply voltage	5, 12, 24 VDC (4.5 to 28 VDC)
Current consumption	10 mA or less
Load voltage	28 VDC or less
Load current	50 mA or less at the total amount of normal output and diagnostic output
Internal voltage drop	1.5 V or less (0.8 V or less at 5 mA)
Leakage current	100 $\mu$ A or less at 24 VDC
Indicator light	Operating range ..... Red LED illuminates. Proper operating range ..... Green LED illuminates.
Standard	CE marking

- Lead wires — Oilproof heavy-duty vinyl cord:  $\phi$ 3.4, 0.2 mm<sup>2</sup>, 4 cores (Brown, Black, Orange, Blue), 0.5 m
- Note 1) Refer to page 1272 for solid state auto switch common specifications.
- Note 2) Refer to page 1272 for lead wire lengths.

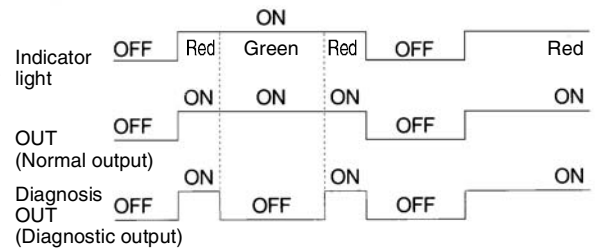
## Mass

(g)

Auto switch model		<b>D-F79F</b>
Lead wire length (m)	0.5	13
	3	56
	5	90

## Diagnostic Output Operation

The diagnostic output signal is output within an unsteady detecting area (where indicator light is Red), and it is not output within the proper operating range (where indicator light is Green). When the auto switch detecting position is not adjusted, the diagnostic output becomes activated.



## Dimensions

(mm)

