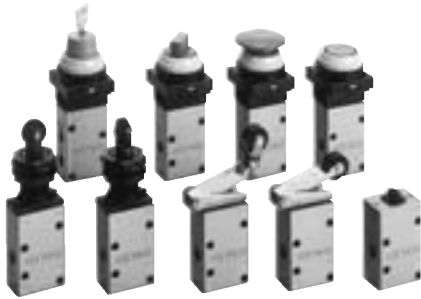


3 Port Mechanical Valve Series VM400

Either N.C. or N.O. is available.

Piping possible to any port.

Proper countermeasures can be taken for applications in which the noise of the exhaust could cause problems to the surroundings.



Specifications

Fluid	Air/Inert gas
Operating pressure	-100 kPa to 1.0 MPa
Ambient and fluid temperature	-5 to 60°C (No freezing)
Effective area	7 mm ²
Lubrication	Not required (Use turbine oil Class 1 ISO VG32, if lubricated)
Port size	1/8
Mass (Basic)	110g

Model

	Actuator	Model	Actuator part no.	Application
Mechanical operation	Basic	VM430-01-00	—	—
	Roller lever	VM430-01-01	VM-01A	Polyacetal roller
		VM430-01-01S	VM-01AS	Hard steel roller
	One way roller lever	VM430-01-02	VM-02A	Polyacetal roller
		VM430-01-02S	VM-02AS	Hard steel roller
	Straight plunger	VM430-01-05	VM-05A	—
	Roller plunger	VM430-01-06	VM-06A	Polyacetal roller
		VM430-01-06S	VM-06AS	Hard steel roller
	Cross roller plunger	VM430-01-07	VM-07A	Polyacetal roller
		VM430-01-07S	VM-07AS	Hard steel roller
Manual operation	Toggle lever	VM430-01-08	VM-08A	—
	Push button (Mushroom)	VM430-01-30R	VM-30AR	Red
		VM430-01-30B	VM-30AB	Black
		VM430-01-30G	VM-30AG	Green
		VM430-01-30Y	VM-30AY	Yellow
	Push button (Extended)	VM430-01-32R	VM-32AR	Red
		VM430-01-32B	VM-32AB	Black
		VM430-01-32G	VM-32AG	Green
	Push button (Flush)	VM430-01-32Y	VM-32AY	Yellow
		VM430-01-33	VM-33A	With a set of red, black, green, yellow
	Twist selector (2 position)	VM430-01-34R	VM-34AR	Red
		VM430-01-34B	VM-34AB	Black
		VM430-01-34G	VM-34AG	Green
		VM430-01-34Y	VM-34AY	Yellow
Key selector (2 position)	VM430-01-36	VM-36A	—	



Note 1) Actuator replacement is available for all types.

Note 2) For push button (mushroom), push button (extended), push button (flush) and a single unit of fastening ring, refer to pages 1887 to 1888. The other parts are not replaceable.

Note 3) The handle of the selector (2 position) cannot be removed or replaced alone.

How to Order

VM4 3 0 - 01 - 01 S -

● **Number of ports**

3	3 port
---	--------

● **Port size**

01	Rc 1/8
N01	NPT 1/8
F01	G 1/8

● **Actuator type**

00	Basic
01	Roller lever
02	One way roller lever
05	Straight plunger
06	Roller plunger
07	Cross roller plunger
08	Toggle lever
30	Push button (Mushroom)
32	Push button (Extended)
33	Push button (Flush)
34	Twist selector (2 position)
36	Key selector (2 position)

● **Made to Order**
 (Refer to pages 1882 to 1885 for details.)

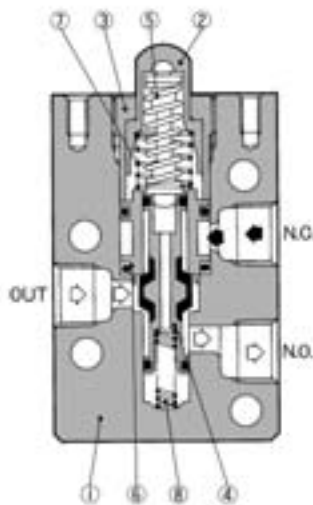
X207	Alternate type, Mushroom push button
X219	Push-lock turn-reset type, Mushroom push button

● **Suffix for actuator**

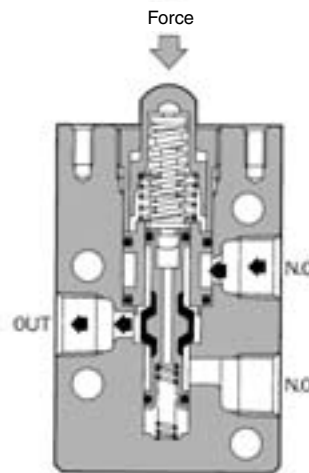
S	Hard steel roller	Color of push button selector
R	Red	
B	Black	
G	Green	
Y	Yellow	

Construction

Non-actuated



Actuated



Component Parts

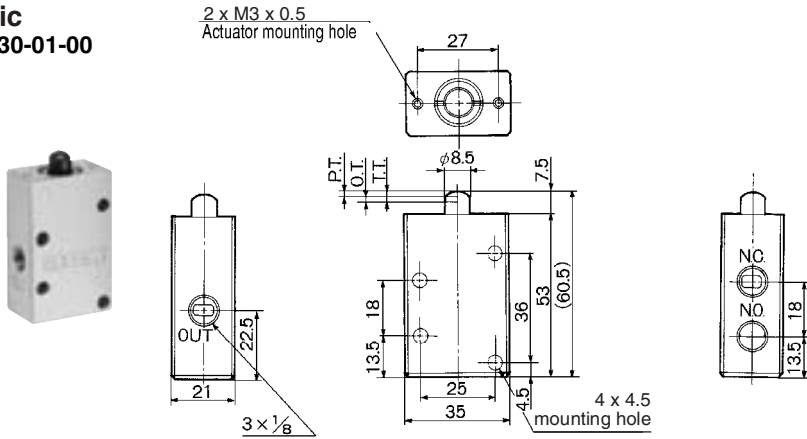
No.	Description	Material	Note
1	Body	ADC	Platinum silver
2	Plunger	POM	
3	Upper lid	Brass	Black zinc chromated
4	Spool valve	Aluminum alloy	Rubber lined

No.	Description	Material	Note
5	Over travel spring	Stainless steel	
6	Retainer	Brass	
7	Spring	Stainless steel	
8	Spring	Stainless steel	

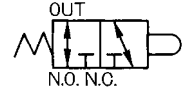
Series VM400

Series VM400

Basic VM430-01-00

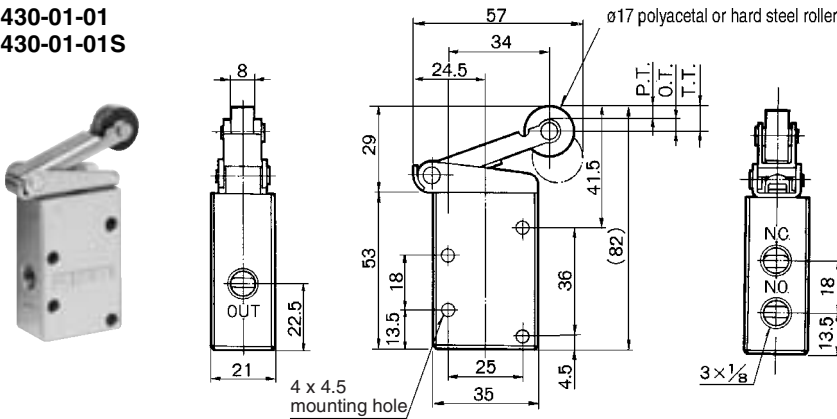


JIS Symbol

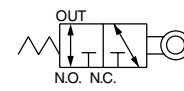


F.O.F.	26 N
P.T.	1.5 mm
O.T.	2.0 mm
T.T.	3.5 mm

Roller lever VM430-01-01 VM430-01-01S

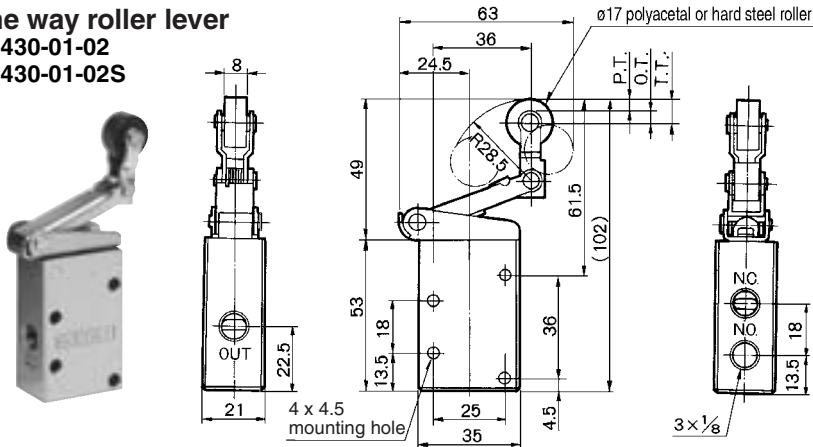


JIS Symbol

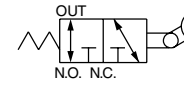


F.O.F.	12 N
P.T.	4.0 mm
O.T.	4.5 mm
T.T.	8.5 mm

One way roller lever VM430-01-02 VM430-01-02S

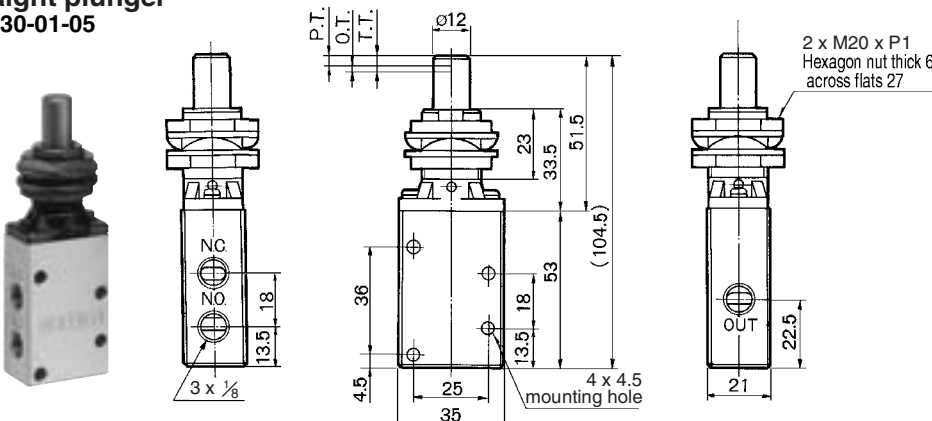


JIS Symbol

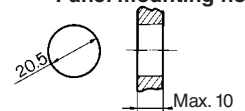


F.O.F.	11 N
P.T.	4.0 mm
O.T.	5.0 mm
T.T.	9.0 mm

Straight plunger VM430-01-05



Panel mounting hole



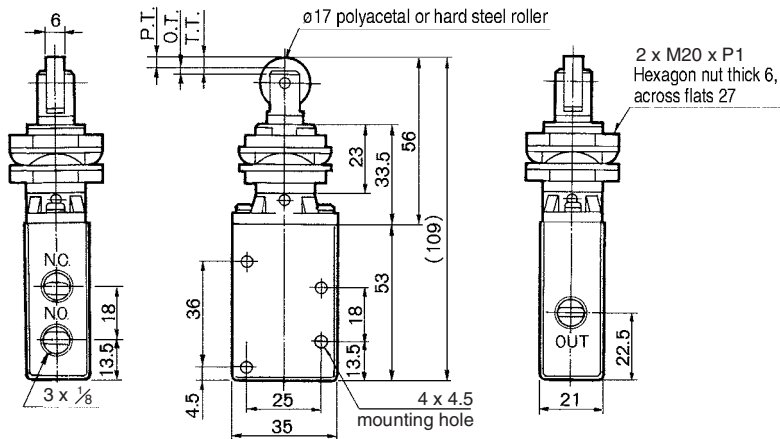
JIS Symbol



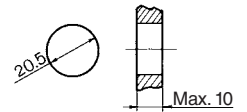
F.O.F.	30 N
P.T.	3.5 mm
O.T.	2.0 mm
T.T.	5.5 mm

Series VM400

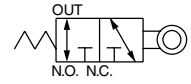
Roller plunger VM430-01-06 VM430-01-06S



Panel mounting hole

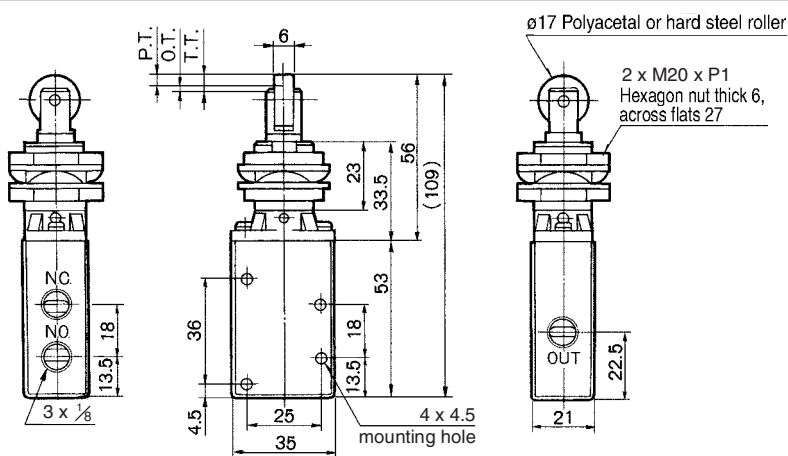


JIS Symbol

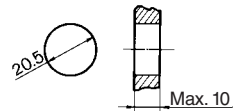


F.O.F.	30 N
P.T.	3.5 mm
O.T.	2.0 mm
T.T.	5.5 mm

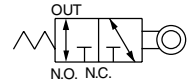
Cross roller plunger VM430-01-07 VM430-01-07S



Panel mounting hole

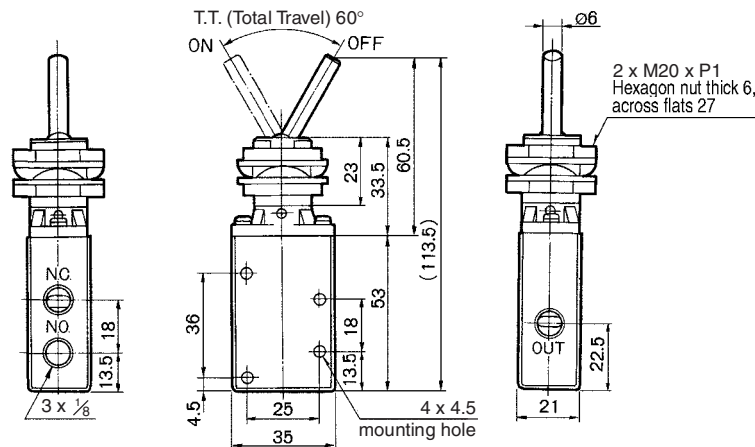


JIS Symbol

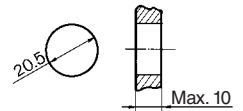


F.O.F.	30 N
P.T.	3.5 mm
O.T.	2.0 mm
T.T.	5.5 mm

Toggle lever VM430-01-08



Panel mounting hole

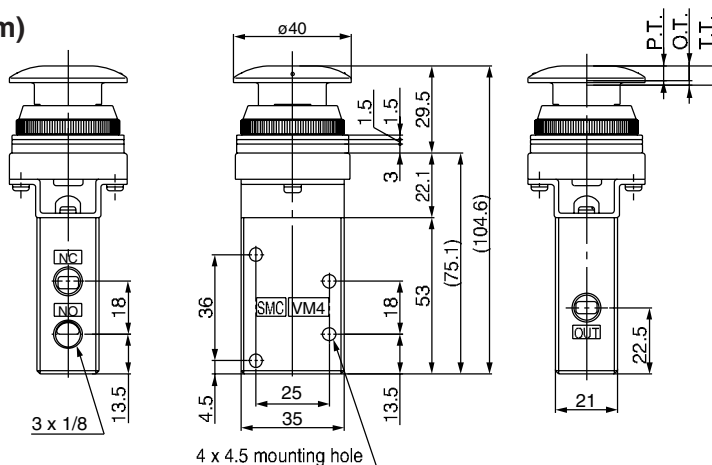


JIS Symbol

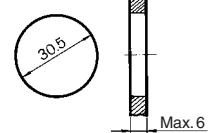


F.O.F.	7 N
T.T.	60°

Push button (Mushroom) VM430-01-30R/B/G/Y



Panel mounting hole



JIS Symbol

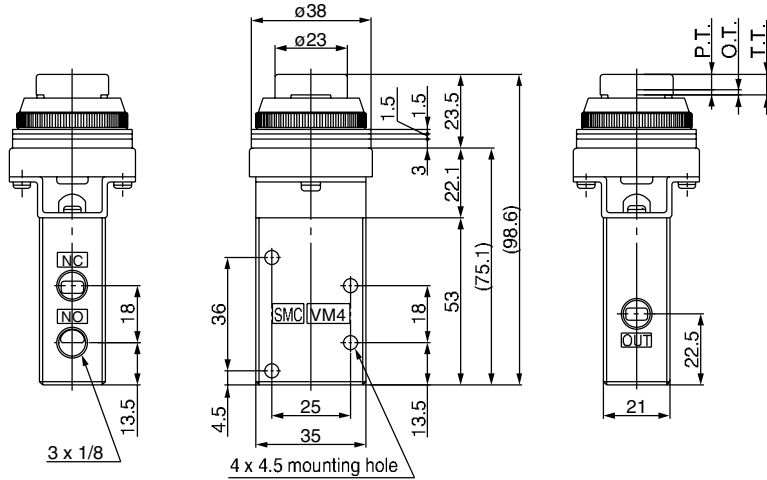


F.O.F.	26 N
P.T.	4.6 mm
O.T.	1.6 mm
T.T.	6.5 mm

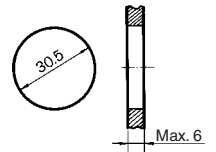
Series VM400

Series VM400

Push button (Extended) VM430-01-32R/B/G/Y



Panel mounting hole

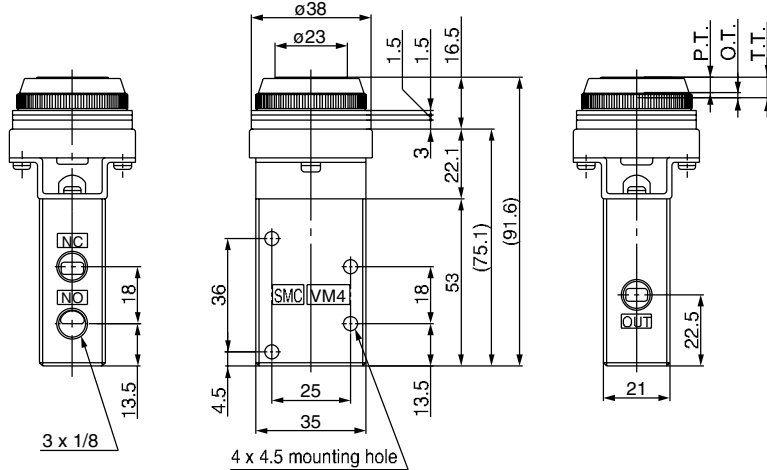


JIS Symbol

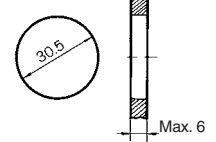


F.O.F.	26 N
P.T.	5.4 mm
O.T.	1.6 mm
T.T.	6.5 mm

Push button (Flush) VM430-01-33



Panel mounting hole

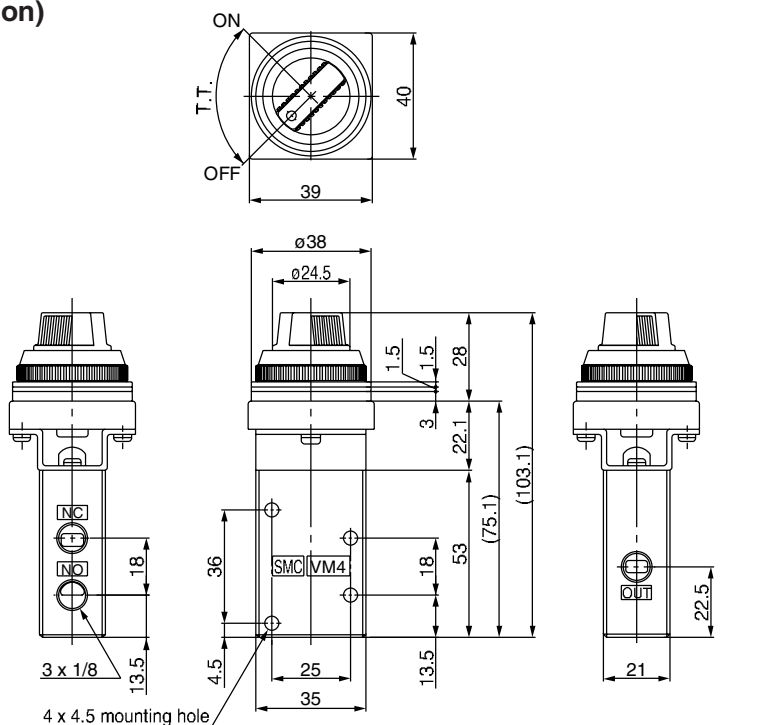


JIS Symbol

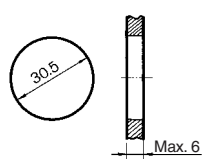


F.O.F.	26 N
P.T.	4.9 mm
O.T.	1.6 mm
T.T.	6.5 mm

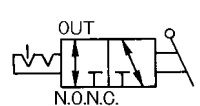
Twist selector (2 position) VM430-01-34R/B/G/Y



Panel mounting hole



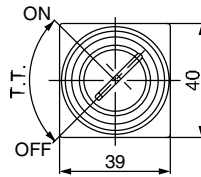
JIS Symbol



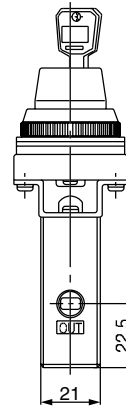
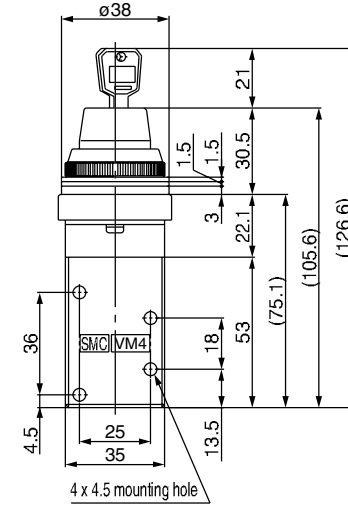
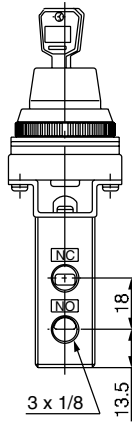
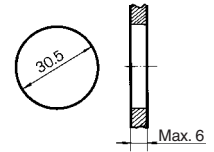
F.O.F.	20 N
T.T.	90°

Series VM400

Key selector (2 position) VM430-01-36



Panel mounting hole



Key can be removed at the "on" and "off" positions.

F.O.F.	20 N
T.T.	90°