

# 3 Port Mechanical Valve: Heavy Duty Type Series VM800

**Sturdy construction.**

**Either N.C. or N.O. is available.**

**Piping possible to any port.**

Proper countermeasures can be taken for applications in which the noise of the exhaust could cause problems to the surroundings.

**Many actuator positions and orientation options.**



## Specifications

Fluid	Air/Inert gas
Operating pressure	-100 kPa to 1.0 MPa
Ambient and fluid temperature	-5 to 60°C (No freezing)
Effective area	6 mm <sup>2</sup>
Lubrication	Not required (Use turbine oil Class 1 ISO VG32, if lubricated.)
Port size	1/8
Mass (Basic)	180 g

## Model

Actuator	Model	Actuator part no.
Basic	VM830-01-00	—
Roller lever	VM830-01-01	VM-01F
Adjustable roller lever	VM830-01-13	VM-13F
Adjustable rod lever	VM830-01-14	VM-14F



• Actuator replacement is available.

## How to Order

**VM830 - 01 - 01**

Number of ports

3	3 port
---	--------

Port size

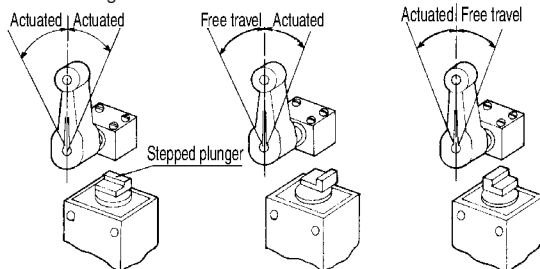
01	Rc 1/8
N01	NPT 1/8
F01	G 1/8

Actuator type

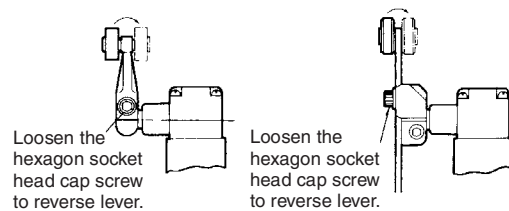
00	Basic
01	Roller lever
13	Adjustable roller lever
14	Adjustable rod lever

## Application

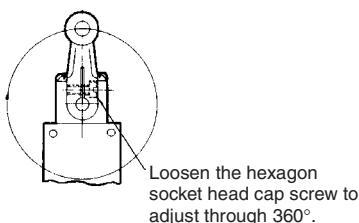
● Movement is changeable.



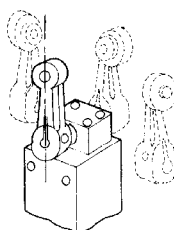
● Roller can be mounted to inside of lever.



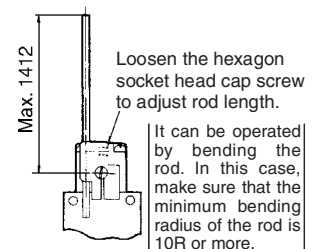
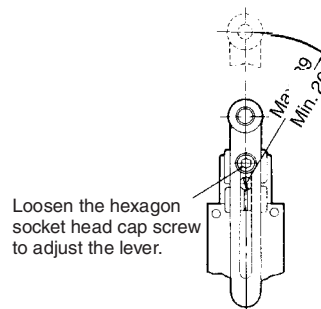
● Lever location can be changed.



● Head direction can be changed.



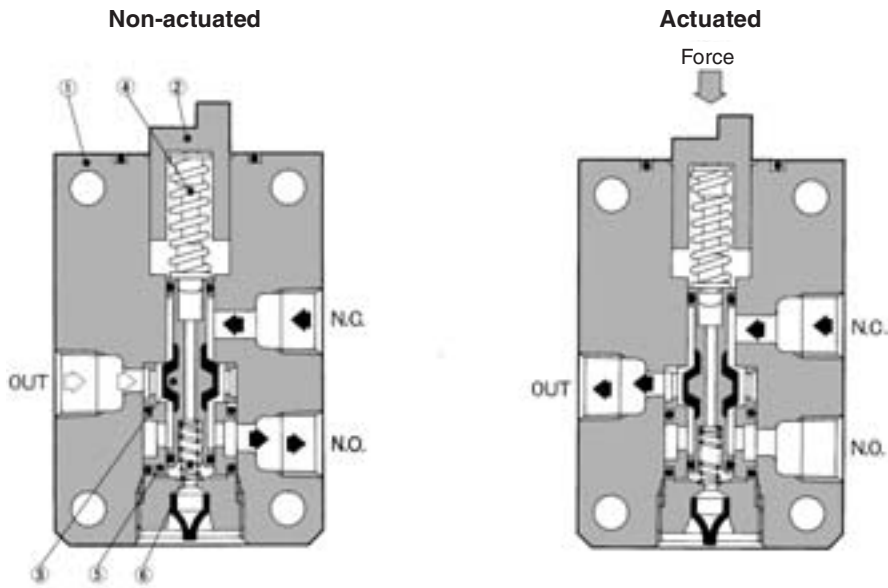
● Lever length adjustment.



Gentle Automatic Solution Sdn Bhd

Tel :603-80237743 Fax :603-80239743 Email :sales@gentle.com.my http://www.gentle.com.my

## Construction



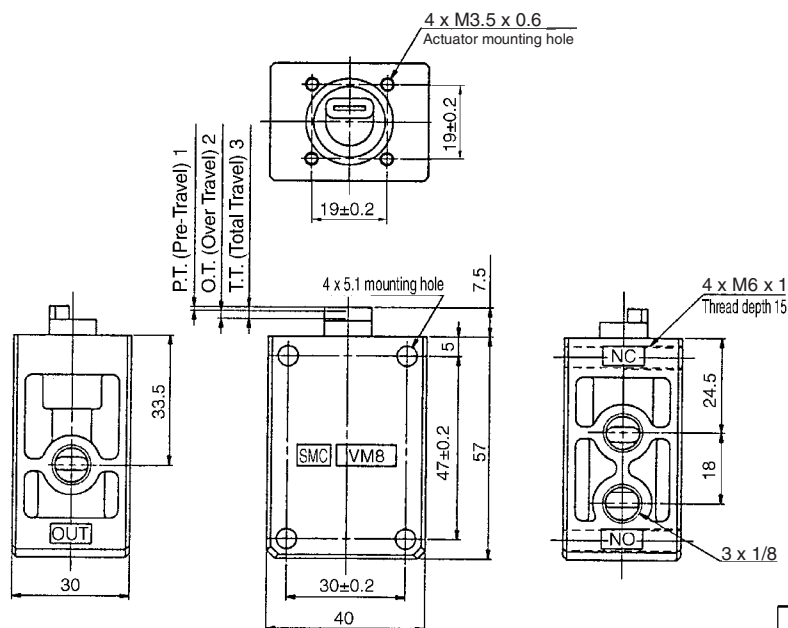
### Component Parts

No.	Description	Material	Note
1	<b>Body</b>	ADC	Platinum silver
2	<b>Plunger</b>	POM	
3	<b>Spool valve</b>	Aluminum alloy, NBR	Rubber lined

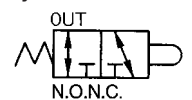
No.	Description	Material	Note
4	<b>Over travel spring</b>	Stainless steel	
5	<b>Retainer</b>	Brass	
6	<b>Spring</b>	Steel	Zinc chromated

## Series VM800

### Basic / VM830-01-00



#### JIS Symbol

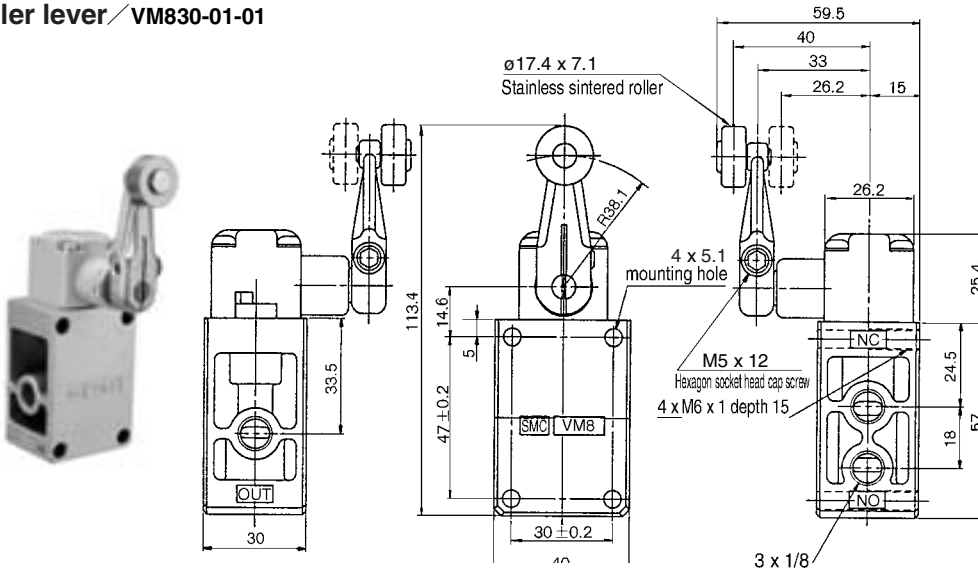


F.O.F.	23 N
P.T.	1.0 mm
O.T.	2.0 mm
T.T.	3.0 mm

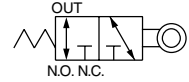
# Series VM800

## Series VM800

### Roller lever / VM830-01-01

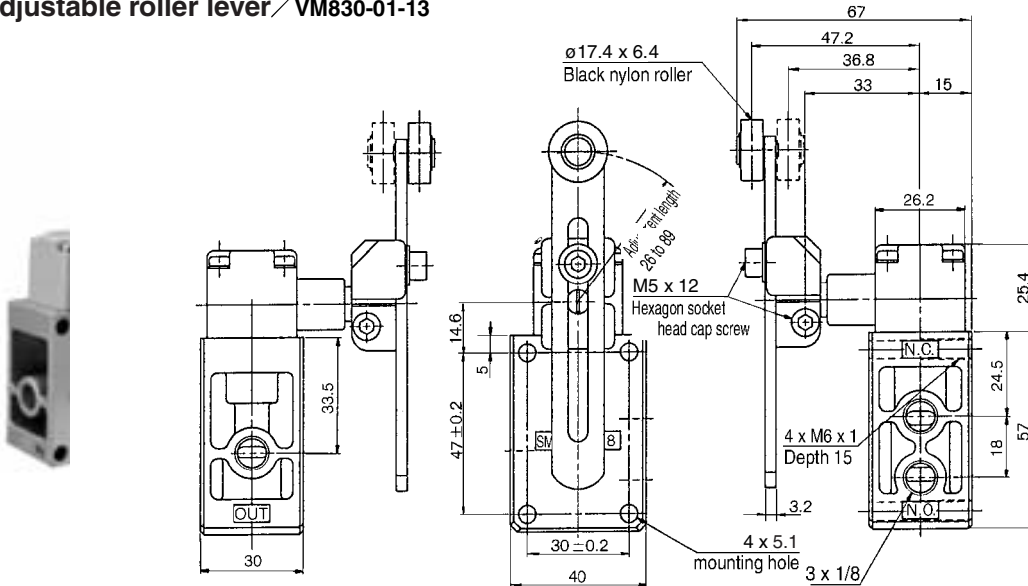


#### JIS Symbol



F.O.F.	20 N
P.T.	20°
O.T.	30°
T.T.	50°

### Adjustable roller lever / VM830-01-13



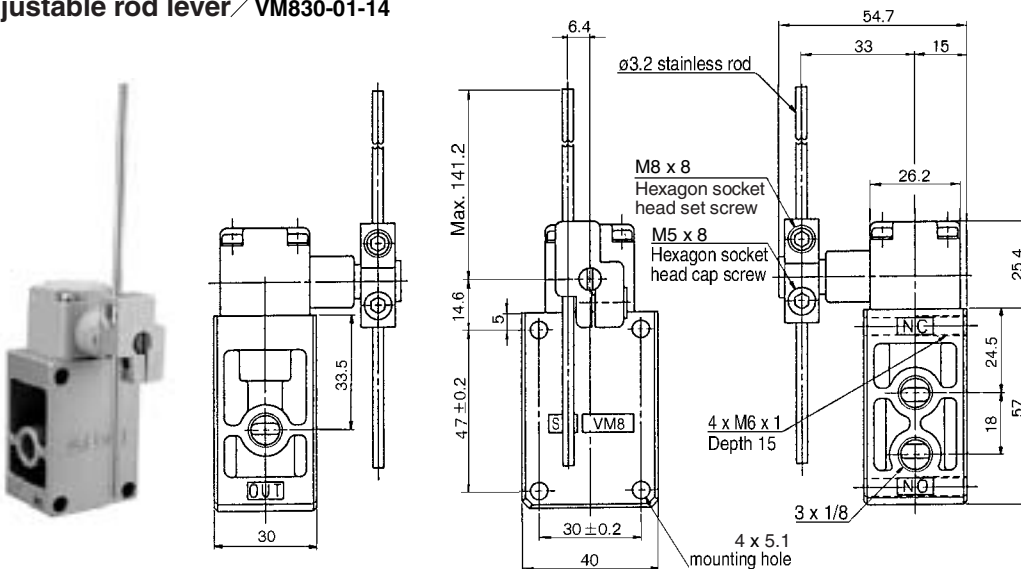
#### JIS Symbol



\* At lever length 38.1 mm

F.O.F. *	20 N
P.T.	20°
O.T.	30°
T.T.	50°

### Adjustable rod lever / VM830-01-14



#### JIS Symbol



\* At lever length 141.2 mm

F.O.F. *	2.3 N
P.T.	20°
O.T.	30°
T.T.	50°